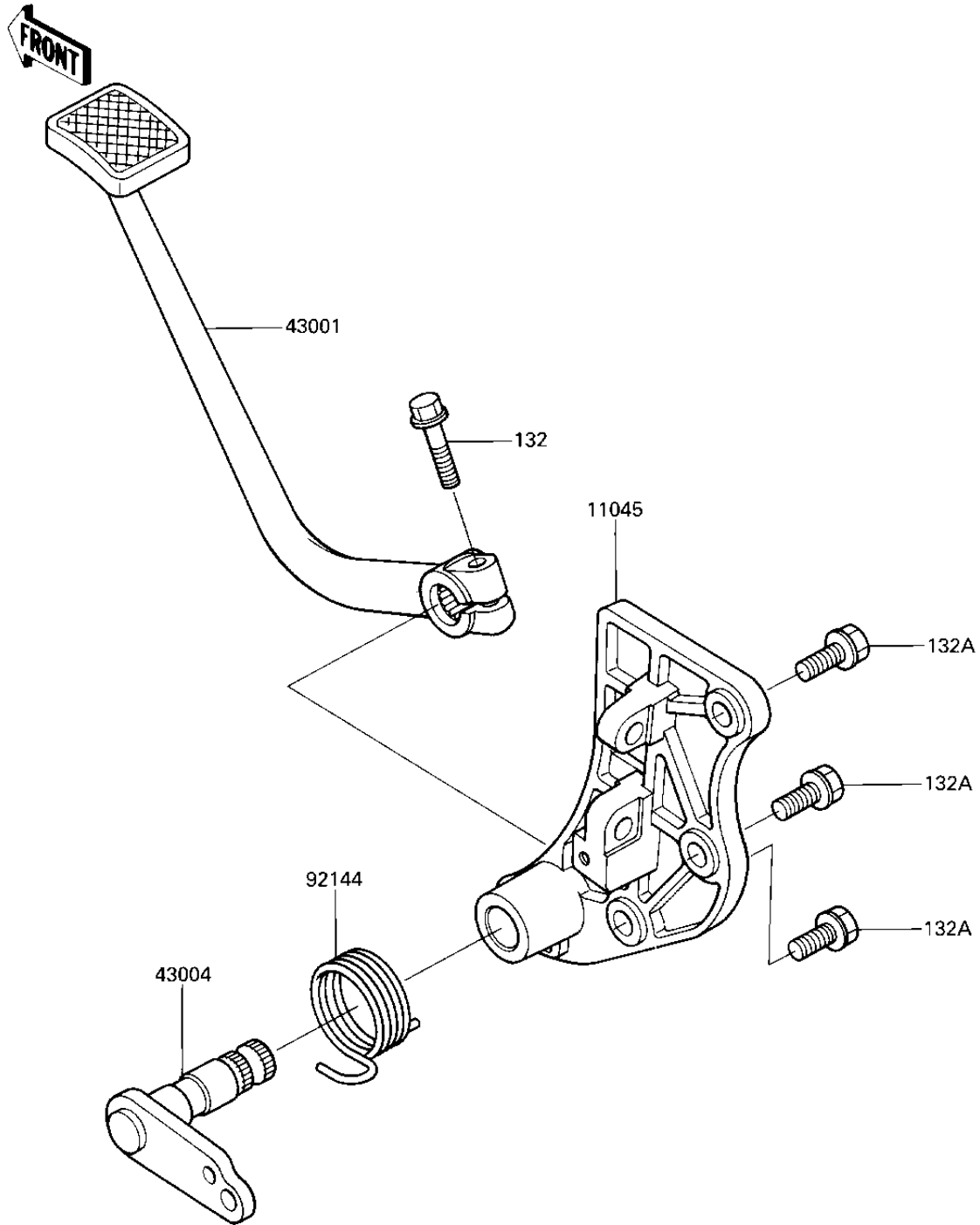


1986 Voyager XII PARTS DIAGRAM

BRAKE PEDAL

F2260-0172



1986 Voyager XII PARTS LIST

BRAKE PEDAL

ITEM NAME	PART NUMBER	QUANTITY
BRACKET,BRAKE PEDAL (Ref # 11045)	11044-1617	1
LEVER-BRAKE,PEDAL (Ref # 43001)	43001-1235	1
SHAFT-BRAKE (Ref # 43004)	43004-1119	1
SPRING,BRAKE PEDAL RE (Ref # 92144)	92081-1955	1
BOLT-FLANGED-SMALL (Ref # 132)	132E0825	1
BOLT-FLANGED-SMALL,8X (Ref # 132A)	132J0816	3