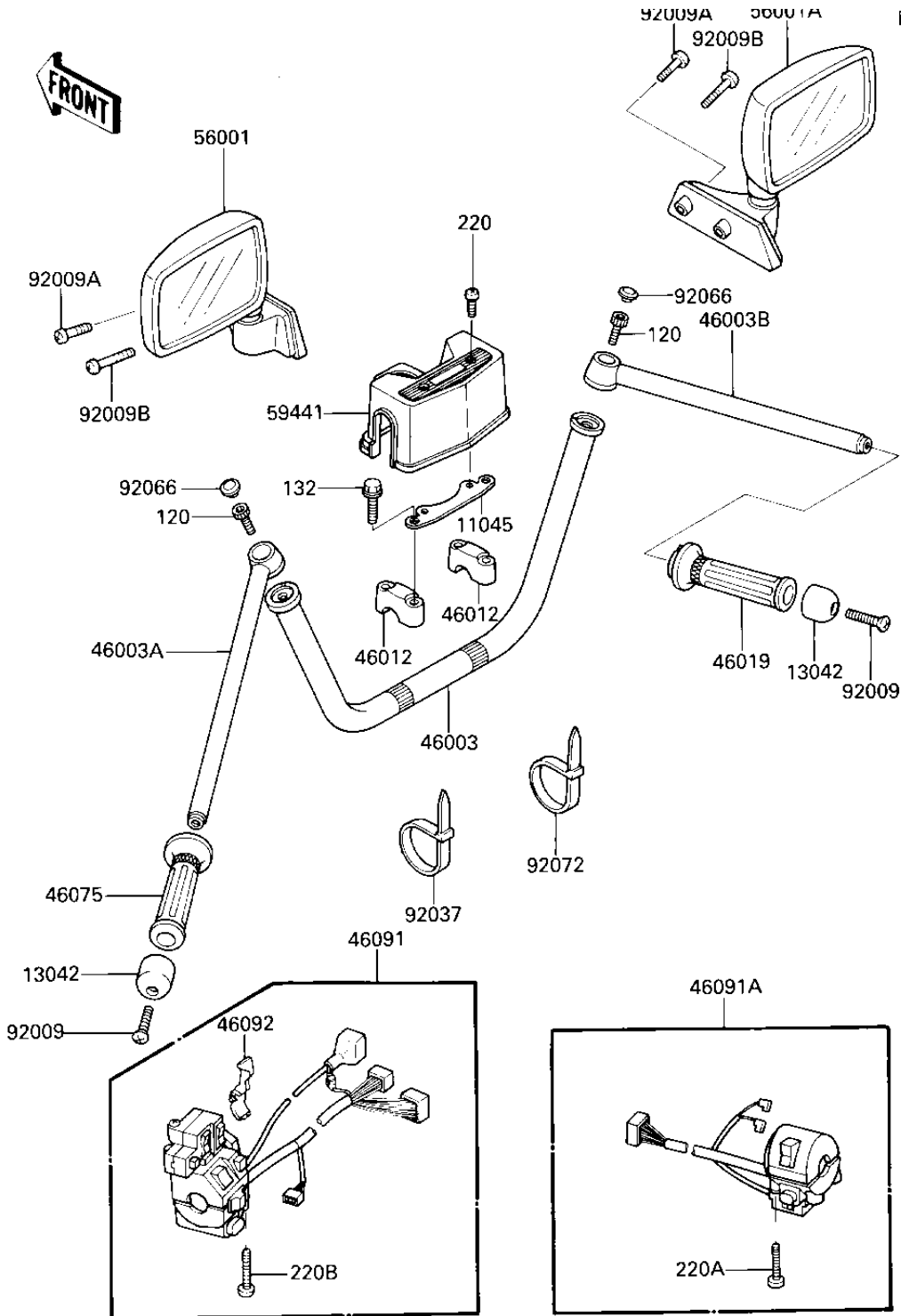


# 1986 Voyager XII PARTS DIAGRAM

## HANDLEBAR



F2310 0393

R  
N

- 1
- 1
- 4
- 4
- 4
- 4
- 4
- 4
- 4
- 4
- 4
- 4
- 5
- 5
- 5
- 9
- 9
- 9
- 9
- 9

# 1986 Voyager XII PARTS LIST

## HANDLEBAR

ITEM NAME	PART NUMBER	QUANTITY
BRACKET,HANDLE COVER (Ref # 11045)	11044-1635	1
WEIGHT,HUNDLE (Ref # 13042)	13042-1051	2
HANDLE,CNT (Ref # 46003)	46003-1210	1
HANDLE,LH (Ref # 46003A)	46003-1211	1
HANDLE,RH (Ref # 46003B)	46003-1212	1
HOLDER-HANDLE,UPP (Ref # 46012)	46012-1151	2
GRIP-ASSY,THROTTLE (Ref # 46019)	46019-1064	1
GRIP,LH (Ref # 46075)	46075-1068	1
HOUSING-ASSY-CONTROL, (Ref # 46091)	46091-1385	1
HOUSING-ASSY-CONTROL, (Ref # 46091A)	46091-1401	1
LEVER-GRIP,CHOKE (Ref # 46092)	46092-1124	1
MIRROR-ASSY,LH (Ref # 56001)	56001-1262	1
MIRROR-ASSY,RH (Ref # 56001A)	56001-1263	1
COVER-HANDLE (Ref # 59441)	59441-1065	1
SCREW,HUNDLE WEIGHT (Ref # 92009)	92009-1257	2
SCREW,6X30 (Ref # 92009A)	92009-1496	2
SCREW,6X45 (Ref # 92009B)	92009-1497	2
CLAMP (Ref # 92037)	92037-1817	4
PLUG,18.3X4.5 (Ref # 92066)	92066-1234	2
BAND,L=185 (Ref # 92072)	92072-1195	2
BOLT-SOCKET (Ref # 120)	120T1025	2
BOLT-FLANGED-SMALL (Ref # 132)	132G0840	4
SCREW-PAN-CROS (Ref # 220)	220C0416	2
SCREW-PAN-CROS (Ref # 220A)	220C0540	2
SCREW-PAN-CROS (Ref # 220B)	220C0545	2