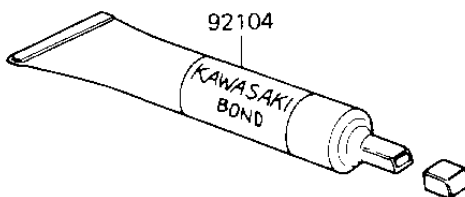
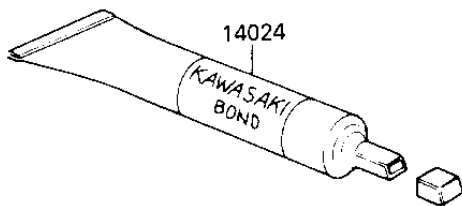
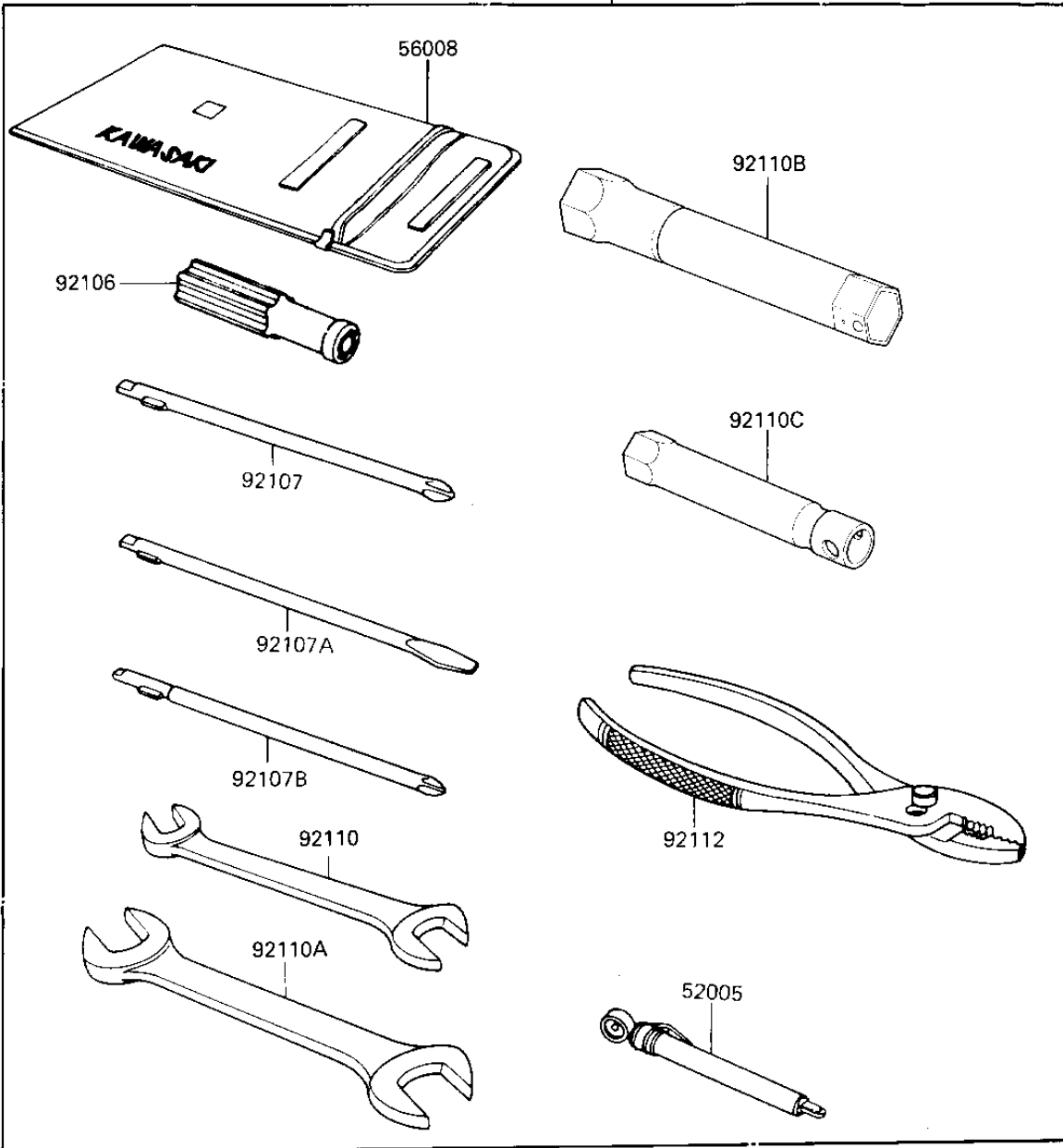


1986 Voyager XII PARTS DIAGRAM

OWNER TOOLS

56007

F 2010-0621



F
I
E
E
S
S
S
S
S
S
S

I

1986 Voyager XII PARTS LIST

OWNER TOOLS

ITEM NAME	PART NUMBER	QUANTITY
BOND,#10 (Ref # 14024)	56019-120	1
GAUGE,AIR,3.5KG/CM2 (Ref # 52005)	52005-1031	1
TOOLKIT (Ref # 56007)	56007-1236	1
BAG,TOOL (Ref # 56008)	56008-006	1
LIQUID GASKET (Ref # 92104)	92104-002	1
GRIP,SCREW DRIVER (Ref # 92106)	92106-1001	1
TOOL-DRIVER (Ref # 92107)	92107-1052	1
92107-1052 (Canada) (Ref # 92107A)	92107-007	1
92107-1002 (Canada) (Ref # 92107B)	92107-008	1
TOOL-WRENCH,OPEN END (Ref # 92110)	92110-1038	1
TOOL-WRENCH,OPEN END, (Ref # 92110A)	92110-1153	1
TOOL-WRENCH,BOX,17X18 (Ref # 92110B)	92110-1124	1
TOOL-WRENCH,BOX,10MM (Ref # 92110C)	92110-1125	1
PLIERS,160MM (Ref # 92112)	92112-003	1