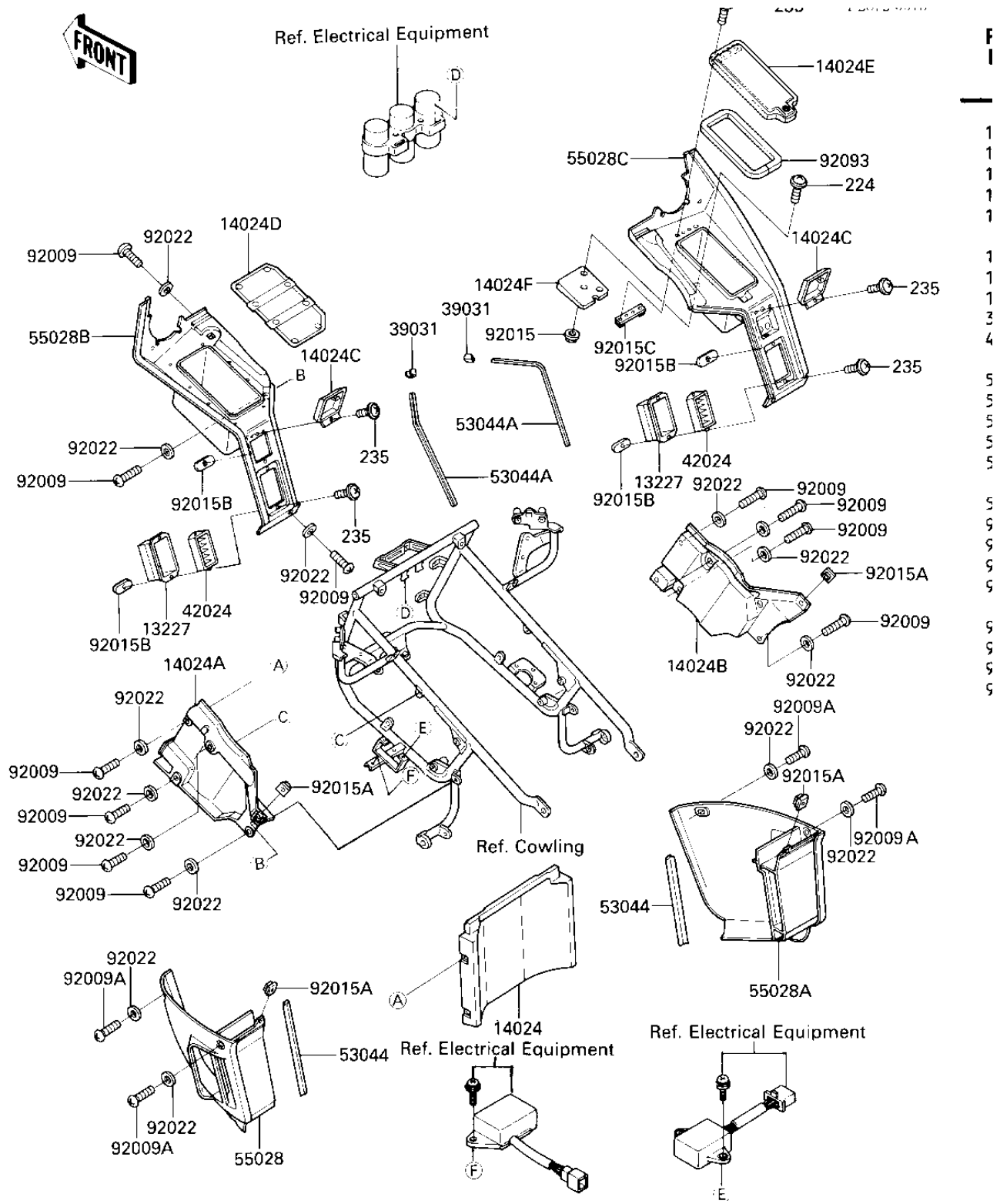


1986 Voyager XII PARTS DIAGRAM

FAIRING LOWER



1986 Voyager XII PARTS LIST

FAIRING LOWERS

ITEM NAME	PART NUMBER	QUANTITY
HOUSING,SHUTTER (Ref # 13227)	13227-1012	2
COVER,COWLING,INNER,F (Ref # 14024)	14024-1183	1
COVER,COWLING,INNER,L (Ref # 14024A)	14024-1184	1
COVER,COWLING,INNER,R (Ref # 14024B)	14024-1185	1
COVER,TRANSCEIVER (Ref # 14024C)	14024-1191	2
COVER,FAIRING POCKET, (Ref # 14024D)	14024-1199	1
COVER,FAIRING POCKET, (Ref # 14024E)	14024-1200	1
COVER,AMPLIFIER (Ref # 14024F)	14024-1304	1
CAP-END (Ref # 39031)	39031-1058	2
SHUTTER,LOUVER (Ref # 42024)	42024-1002	2
TRIM,COWLING,LWR (Ref # 53044)	53044-1159	2
TRIM,INNER COWLING (Ref # 53044A)	53044-1161	2
COWLING,LWR,LH,L.V.RE (Ref # 55028)	55028-1106-P5	1
COWLING,LWR,RH,L.V.RE (Ref # 55028A)	55028-1107-P5	1
COWLING,INNER,LH (Ref # 55028B)	55028-1108	1
COWLING,INNER,RH (Ref # 55028C)	55028-1109	1
SCREW (Ref # 92009)	92009-1445	14
SCREW (Ref # 92009A)	92009-1445	8
NUT,FLANGED,5MM (Ref # 92015)	92015-1259	1
NUT (Ref # 92015A)	92015-1710	8
NUT,4MM (Ref # 92015B)	92015-1598	6
NUT,BRACKET,4MM (Ref # 92015C)	92015-1599	1
WASHER,NYLON,5.3X11.5 (Ref # 92022)	92022-1521	22
SEAL,FAIRING POCKET (Ref # 92093)	92093-1211	1
SCREW-PAN-WP-CROS (Ref # 224)	224B0514	1
SCREW-PAN-WP-CROS (Ref # 235)	235C0412	8