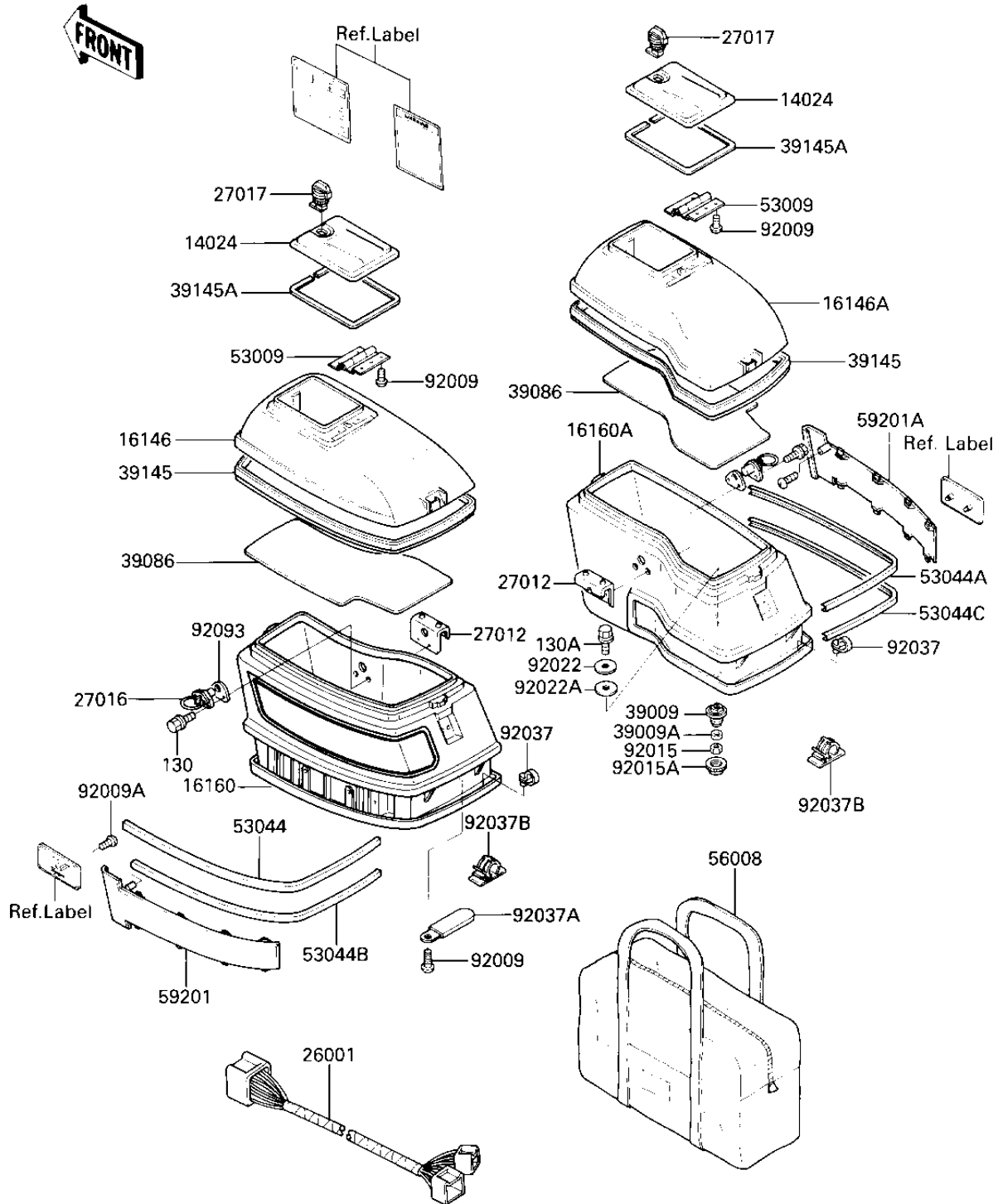


1986 Voyager XII PARTS DIAGRAM

SADDLEBAGS



1986 Voyager XII PARTS LIST

SADDLEBAGS

| ITEM NAME | PART NUMBER | QUANTITY |
|--------------------------------------|---------------|----------|
| COVER,SIDE BAG (Ref # 14024) | 14024-1178 | 2 |
| COVER-ASSY,SIDE BAG,L (Ref # 16146) | 16146-1063-P5 | 1 |
| COVER-ASSY,SIDE BAG,R (Ref # 16146A) | 16146-1064-P5 | 1 |
| BODY,SIDE BAG,LH,RED/ (Ref # 16160) | 16160-5014-V4 | 1 |
| BODY,SIDE BAG,RH,RED/ (Ref # 16160A) | 16160-5015-V4 | 1 |
| HARNESS,SIDE BAG (Ref # 26001) | 26001-1757 | 2 |
| HOOK,SIDE BAG (Ref # 27012) | 27012-1339 | 2 |
| LOCK-ASSY,BAG (Ref # 27016) | 27016-1054 | 2 |
| LOCK,BAG (Ref # 27017) | 27017-1126 | 2 |
| BLOCK-MOUNT,BAG (Ref # 39009) | 39009-1051 | 4 |
| BLOCK-MOUNT,BAG (Ref # 39009A) | 39009-1052 | 4 |
| PAD-STORAGE,BAG (Ref # 39086) | 39086-1052 | 2 |
| TRIM-SEAL,SIDE BAG (Ref # 39145) | 39145-1068 | 2 |
| TRIM-SEAL,SIDE BAG (Ref # 39145A) | 39145-1071 | 2 |
| HINGE,SIDE BAG (Ref # 53009) | 53009-1062 | 2 |
| TRIM,SIDE BAG,LH (Ref # 53044) | 53044-1143 | 1 |
| TRIM,SIDE BAG,RH (Ref # 53044A) | 53044-1144 | 1 |
| TRIM,SIDE BAG,LH (Ref # 53044B) | 53044-1145 | 1 |
| TRIM,SIDE BAG,RH (Ref # 53044C) | 53044-1146 | 1 |
| BAG (Ref # 56008) | 56008-1055 | 2 |
| BUMPER,LH (Ref # 59201) | 59201-1051 | 1 |
| BUMPER,RH (Ref # 59201A) | 59201-1052 | 1 |
| SCREW,TAPPING,4X10 (Ref # 92009) | 92009-1040 | 14 |
| SCREW (Ref # 92009A) | 92009-1429 | 2 |
| NUT,LOCK,6MM,BLACK (Ref # 92015) | 92015-1191 | 4 |
| NUT (Ref # 92015A) | 92015-1628 | 4 |
| WASHER,7X28X1.6,BLACK (Ref # 92022) | 92022-1392 | 4 |
| WASHER,5X28X1 (Ref # 92022A) | 92022-1813 | 4 |
| CLAMP (Ref # 92037) | 92037-1290 | 2 |

1986 Voyager XII PARTS LIST

SADDLEBAGS

| ITEM NAME | PART NUMBER | QUANTITY |
|-------------------------------|-------------|----------|
| CLAMP,HARNESS (Ref # 92037A) | 92037-1726 | 4 |
| CLAMP (Ref # 92037B) | 92037-1793 | 2 |
| SEAL,LOCK (Ref # 92093) | 92093-1209 | 2 |
| BOLT-FLANGED,6X16 (Ref # 130) | 130C0616 | 4 |
| BOLT-FLANGED (Ref # 130A) | 130C0630 | 4 |