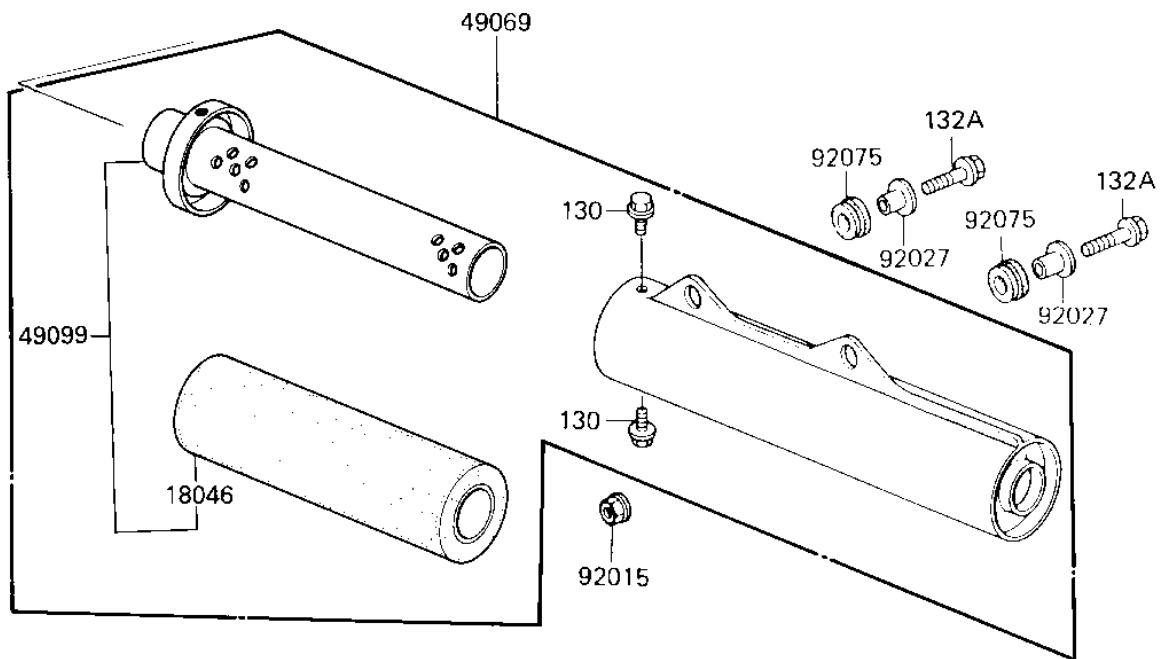
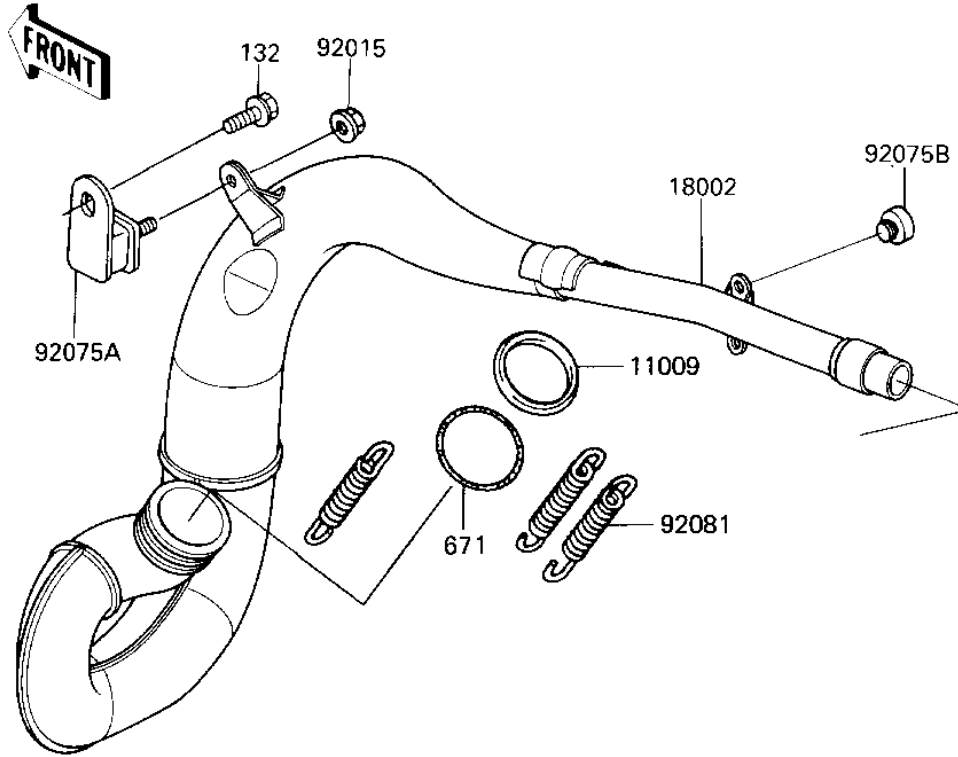


1986 KX250 PARTS DIAGRAM

MUFFLER

EJ110-0241



1986 KX250 PARTS LIST

MUFFLER

ITEM NAME	PART NUMBER	QUANTITY
GASKET,EXHAUST PIPE (Ref # 11009)	11009-1253	1
BODY-COMP-MUFFLER (Ref # 18002)	18002-1628	1
WOOL,MUFFLER BAFFLE (Ref # 18046)	18046-1075	1
MUFFLER-ASSY (Ref # 49069)	49069-1072	1
BAFFLE-PIPE MUFFLER (Ref # 49099)	49099-1206	1
NUT-6MM (Ref # 92015)	92015-1078	2
COLLAR (Ref # 92027)	92027-194	2
DAMPER, HEAD LMP FIT (Ref # 92075)	92075-1123	2
DAMPER,MUFFLER (Ref # 92075A)	92075-1891	1
DAMPER,SIDE COVER (Ref # 92075B)	92075-1598	2
SPRING,MUFFLER CONEC (Ref # 92081)	92081-1526	3
BOLT-FLANGED (Ref # 130)	130G0508	2
BOLT-FLANGED-SMALL (Ref # 132)	132G0612	1
BOLT-FLANGED-SMALL (Ref # 132A)	132G0625	2
O RING,50MM (Ref # 671)	671E2550	2