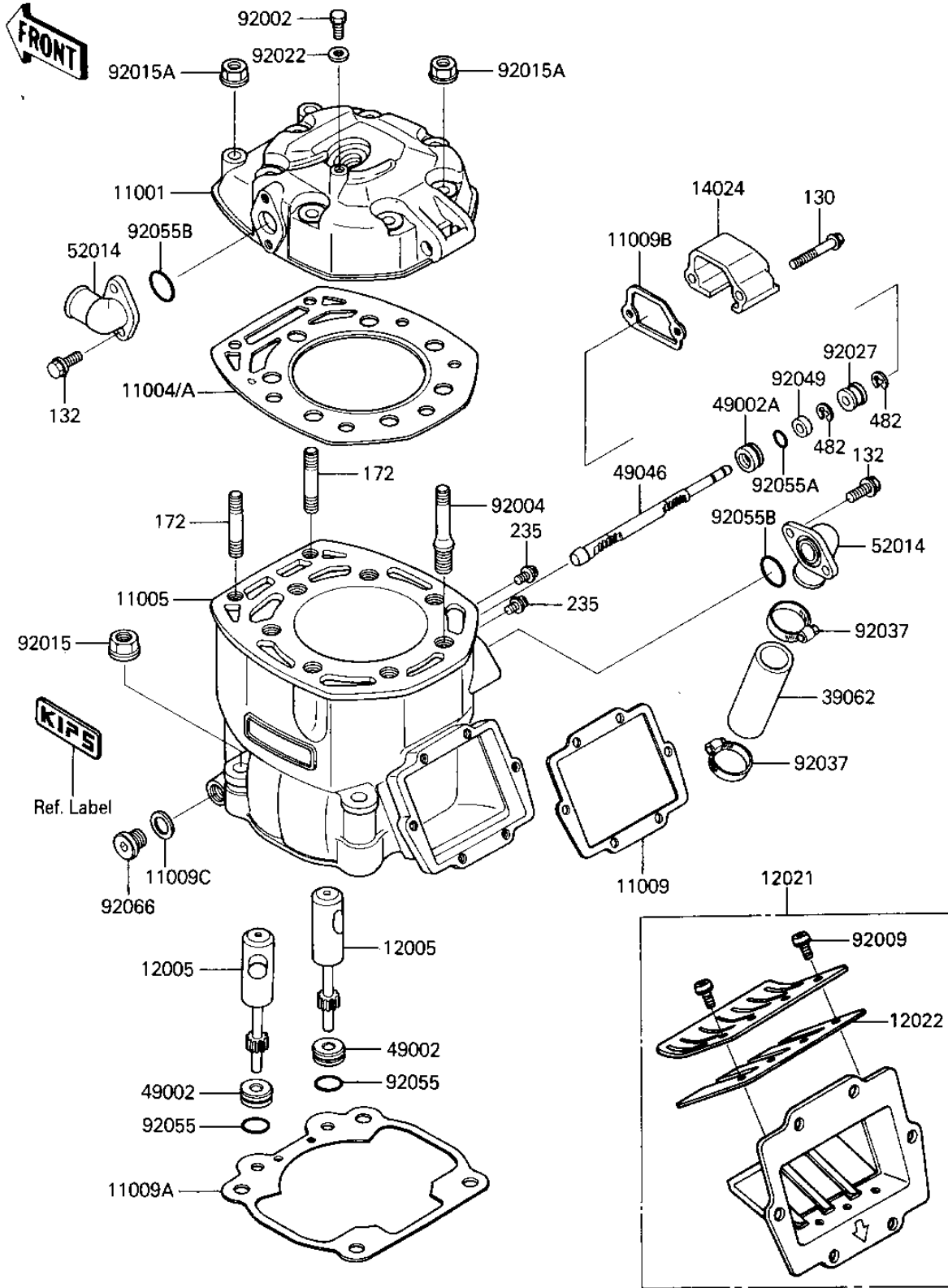


1986 KX500 PARTS DIAGRAM

CYLINDER HEAD/CYLINDER/REED VALVE

E1110-0030



1986 KX500 PARTS LIST

CYLINDER HEAD/CYLINDER/REED VALVE

ITEM NAME	PART NUMBER	QUANTITY
HEAD-CYLINDER (Ref # 11001)	11001-1214	1
GASKET-HEAD (Ref # 11004)	11004-1140	1
GASKET-HEAD,T=1.4 (Ref # 11004A)	11004-1155	1
CYLINDER-ENGINE (Ref # 11005)	11005-1469	1
GASKET, REED VALVE (Ref # 11009)	11009-1950	1
GASKET,CYLINDER BASE (Ref # 11009A)	11009-1537	1
GASKET,GOVERNOR COVER (Ref # 11009B)	11009-1960	1
GASKET-DRAIN PLUG (Ref # 11009C)	92065-073	1
VALVE-EXHAUST (Ref # 12005)	12005-1066	2
VALVE-ASSY-REED (Ref # 12021)	12021-1058	1
VALVE-REED (Ref # 12022)	12022-1017	2
COVER,GOVERNOR (Ref # 14024)	14024-1123	1
HOSE-COOLING,RADIATOR (Ref # 39062)	39062-1256	1
GUIDE-VALVE (Ref # 49002)	49002-1061	2
GUIDE-VALVE,ROD (Ref # 49002A)	49002-1062	1
ROD-GOVERNOR (Ref # 49046)	49046-1053	1
ELBOW,CYLINDER (Ref # 52014)	52014-1004	2
BOLT,6X10 (Ref # 92002)	92002-1222	1
STUD,CYLINDER (Ref # 92004)	92004-1022	7
SCREW,REED VALVE (Ref # 92009)	92009-1014	8
NUT,10MM (Ref # 92015)	92015-1415	4
NUT-8MM (Ref # 92015A)	92015-1143	9
WASHER OIL PUMP BANJO (Ref # 92022)	92022-077	1
COLLAR (Ref # 92027)	92027-183	1
CLAMP,COOLING HOSE (Ref # 92037)	92037-1589	2
SEAL-OIL,RSO-5.5 11 4 (Ref # 92049)	92049-1206	1
"O" RING (Ref # 92055)	92055-022	2
"O" RING (Ref # 92055A)	92055-025	1
"O" RING (Ref # 92055B)	92055-055	2

1986 KX500 PARTS LIST

CYLINDER HEAD/CYLINDER/REED VALVE

ITEM NAME	PART NUMBER	QUANTITY
PLUG,12X10 (Ref # 92066)	92066-1222	1
BOLT-FLANGED (Ref # 130)	130G0535	2
BOLT-FLANGED-SMALL (Ref # 132)	132G0616	4
STUD,8X35 (Ref # 172)	92004-1009	2
SCREW-PAN-WP-CROS (Ref # 235)	235B0510	2
482K4000 (Canada) (Ref # 482)	482J4000	2