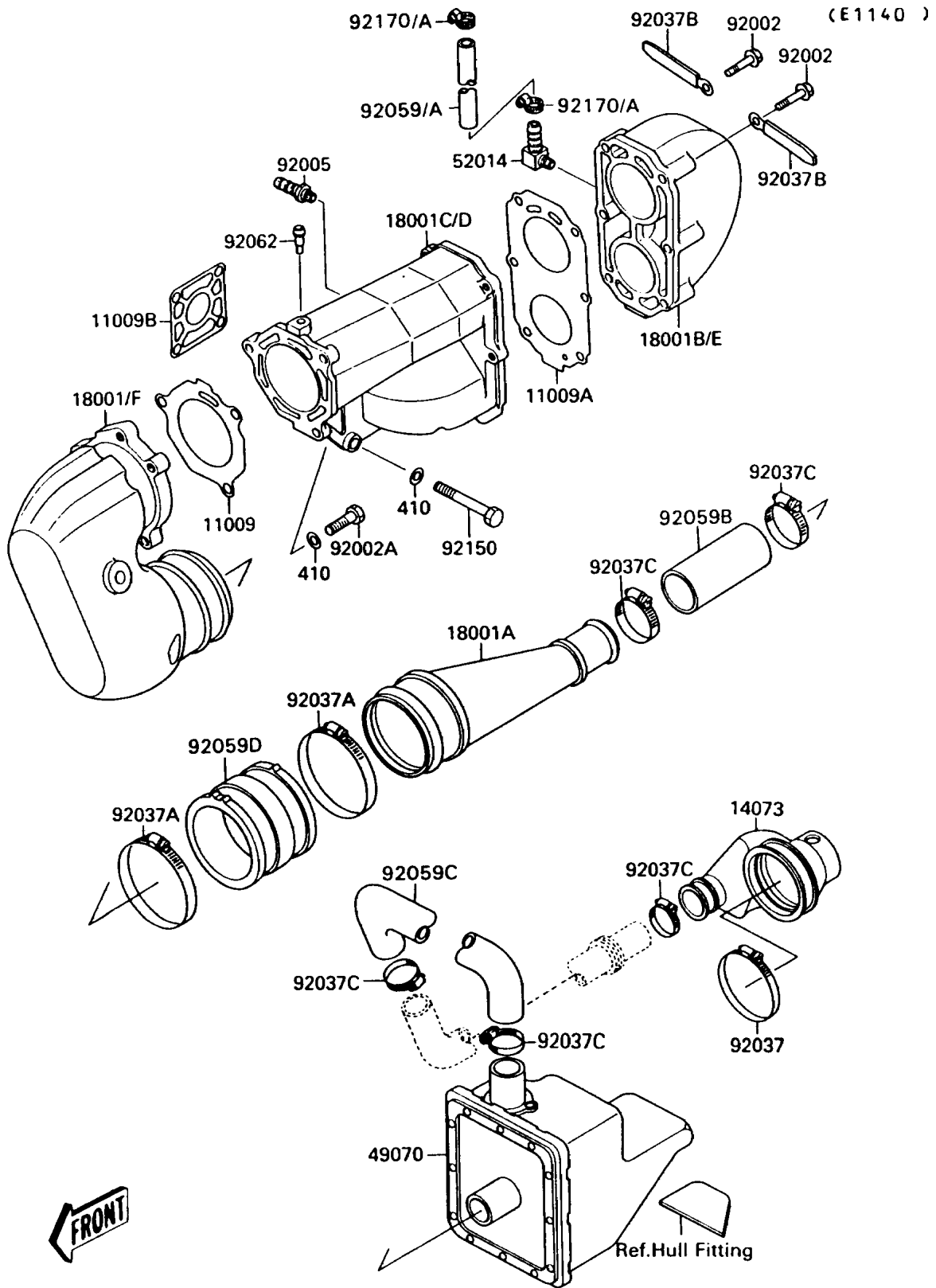


1988 300 SX PARTS DIAGRAM

Muffler(s)



1988 300 SX PARTS LIST

Muffler(s)

ITEM NAME	PART NUMBER	QUANTITY
GASKET,MUFFLER (Ref # 11009)	11009-3708	1
GASKET,MUFFLER (Ref # 11009A)	11009-3744	1
GASKET,MUFFLER MANIFOLD (Ref # 11009B)	11009-3750	1
DUCT (Ref # 14073)	14073-3703	1
MUFFLER,TUNED (Ref # 18001)	18001-3709	1
MUFFLER,BODY (Ref # 18001A)	18001-3710	1
MUFFLER,TUNED (Ref # 18001B)	18001-3717	1
MUFFLER,MANIFOLD (Ref # 18001C)	18001-3723	1
MUFFLER-COMP,WATER BOX (Ref # 49070)	49070-3701	1
ELBOW (Ref # 52014)	52014-3002	1
BOLT,6X45 (Ref # 92002)	92002-3717	6
BOLT,8X35 (Ref # 92002A)	92002-3740	3
FITTING,HOSE (Ref # 92005)	92005-3001	1
CLAMP (Ref # 92037)	92037-3706	1
CLAMP,MAX120.7MM (Ref # 92037A)	92037-3733	2
CLAMP,L=100 (Ref # 92037B)	92037-3736	2
CLAMP (Ref # 92037C)	92037-506	5
TUBE,9X190 (Ref # 92059)	92059-3021	1
TUBE,37X44X115 (Ref # 92059B)	92059-3740	1
TUBE (Ref # 92059C)	92059-3741	1
TUBE,MUFFLER CONNECTING (Ref # 92059D)	92059-3768	1
NOZZLE (Ref # 92062)	92062-3705	1
BOLT,8X70 (Ref # 92150)	92150-3725	4
CLAMP (Ref # 92170)	92170-3718	2
WASHER-PLAIN-SMALL,8MM (Ref # 410)	410S0800	7