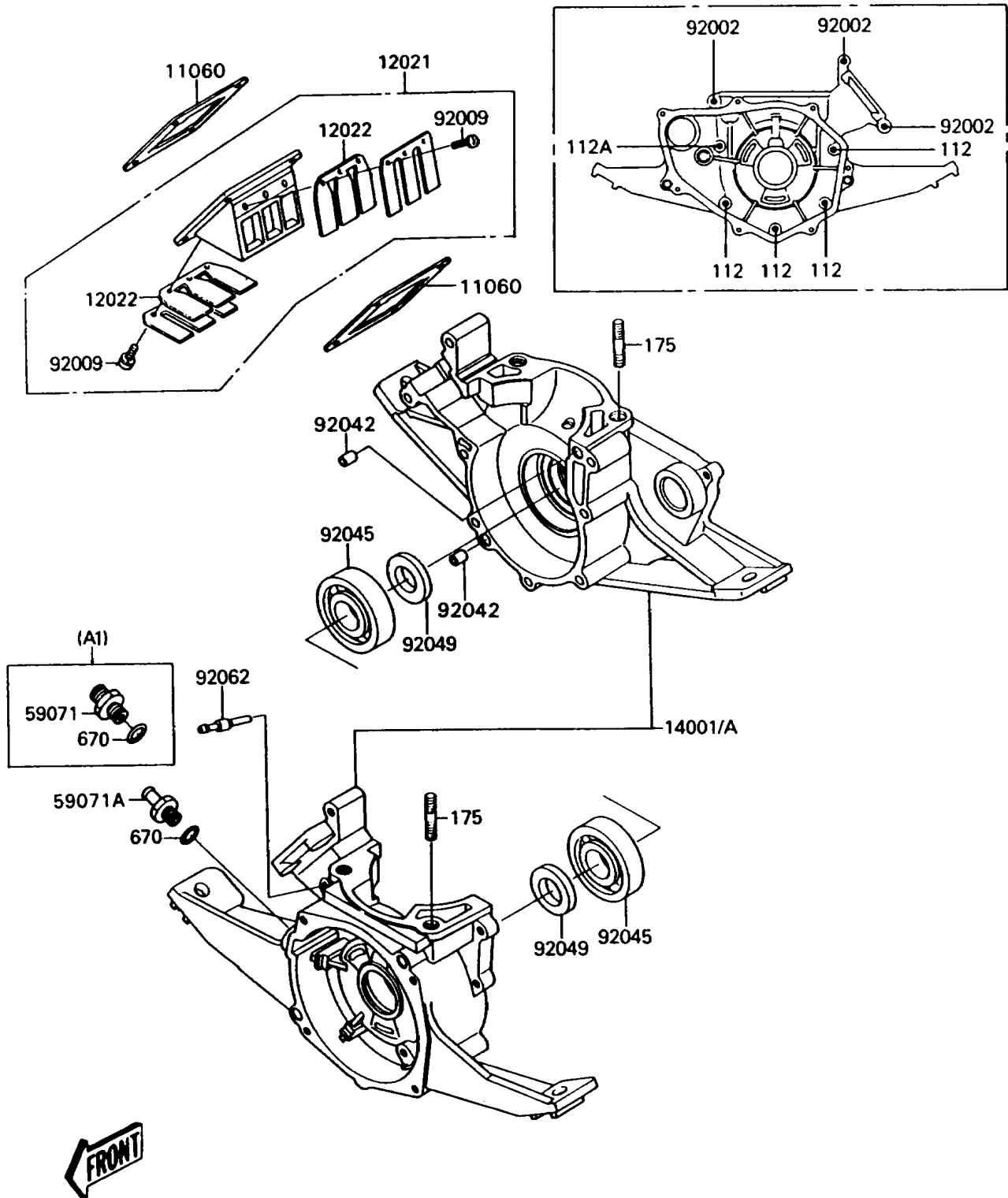


1988 300 SX PARTS DIAGRAM

Crankcase

(E1411)



1988 300 SX PARTS LIST

Crankcase

| ITEM NAME | PART NUMBER | QUANTITY |
|---------------------------------------|-------------|----------|
| GASKET, REED VALVE (Ref # 11060) | 11060-3703 | 2 |
| VALVE-ASSY-REED (Ref # 12021) | 12021-1007 | 1 |
| VALVE-REED (Ref # 12022) | 12022-1001 | 2 |
| SET-CRANKCASE (Ref # 14001) | 14001-5199 | 1 |
| JOINT (Ref # 59071A) | 59071-3718 | 1 |
| BOLT, 6X45 (Ref # 92002) | 92002-3717 | 3 |
| SCREW, REED VALVE (Ref # 92009) | 92009-1014 | 6 |
| PIN, DOWEL, 6.3X8X14 (Ref # 92042) | 92042-007 | 2 |
| BEARING-BALL, 6305JR2C3 (Ref # 92045) | 92045-1120 | 2 |
| SEAL-OIL (Ref # 92049) | 92049-1047 | 2 |
| NOZZLE (Ref # 92062) | 92062-3703 | 1 |
| BOLT-UPSET (Ref # 112) | 112H0645 | 4 |
| BOLT-UPSET (Ref # 112A) | 112H0665 | 1 |
| BOLT-STUD-FINE (Ref # 175) | 175R1035 | 4 |
| O RING, 16MM (Ref # 670) | 670B2016 | 1 |