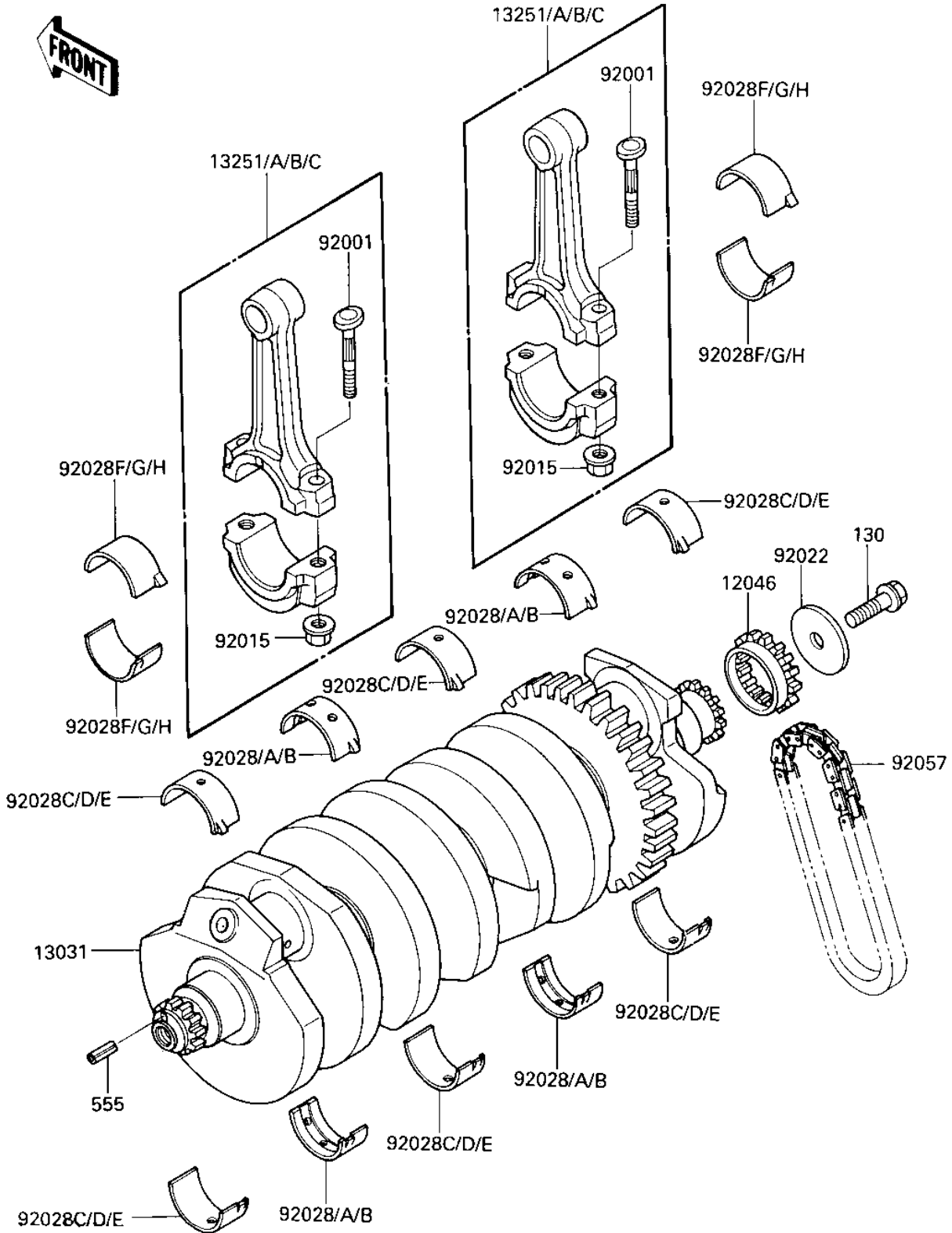


1986 Ninja® PARTS DIAGRAM

CRANKSHAFT

E1321 0071



1986 Ninja® PARTS LIST

CRANKSHAFT

| ITEM NAME | PART NUMBER | QUANTITY |
|--------------------------------------|---------------|----------|
| SPROCKET,21T (Ref # 12046) | 12046-1067 | 1 |
| CRANKSHAFT-COMP (Ref # 13031) | 13031-1332 | 1 |
| ROD-ASSY-CONNECTING,J (Ref # 13251) | 13251-1052-JJ | 4 |
| ROD-ASSY-CONNECTING,J (Ref # 13251A) | 13251-1052-JJ | 4 |
| ROD-ASSY-CONNECTING,J (Ref # 13251B) | 13251-1052-JJ | 4 |
| ROD-ASSY-CONNECTING,J (Ref # 13251C) | 13251-1052-JJ | 4 |
| BOLT,CONNECTING ROD,8 (Ref # 92001) | 92001-1887 | 8 |
| NUT,FLANGED,8MM (Ref # 92015) | 92015-1311 | 8 |
| WASHER,8.5X36X4 (Ref # 92022) | 92022-1633 | 1 |
| BUSHING,CRANKSHAFT (Ref # 92028) | 92028-1100 | AR |
| BUSHING,CRANKSHAFT (Ref # 92028A) | 92028-1101 | AR |
| BUSHING,CRANKSHAFT (Ref # 92028B) | 92028-1102 | AR |
| BUSHING,CRANKSHAFT,BL (Ref # 92028C) | 92028-1272 | AR |
| BUSHING,CRANKSHAFT,BL (Ref # 92028D) | 92028-1273 | AR |
| BUSHING,CRANKSHAFT,BR (Ref # 92028E) | 92028-1274 | AR |
| BUSHING,CONNECTING RO (Ref # 92028F) | 92028-1321 | AR |
| BUSHING,CONNECTING RO (Ref # 92028G) | 92028-1322 | AR |
| BUSHING,CONNECTING RO (Ref # 92028H) | 92028-1323 | AR |
| CHAIN (Ref # 92057) | 92057-1292 | 1 |
| BOLT-FLANGED,8X25 (Ref # 130) | 130G0825 | 1 |
| PIN-SPRING (Ref # 555) | 555A0410 | 1 |