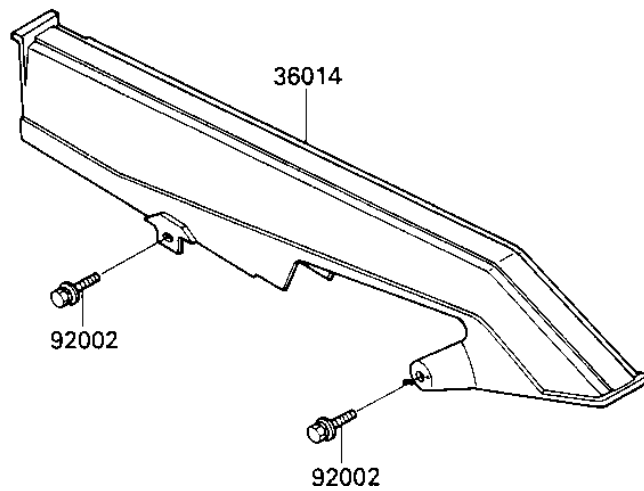
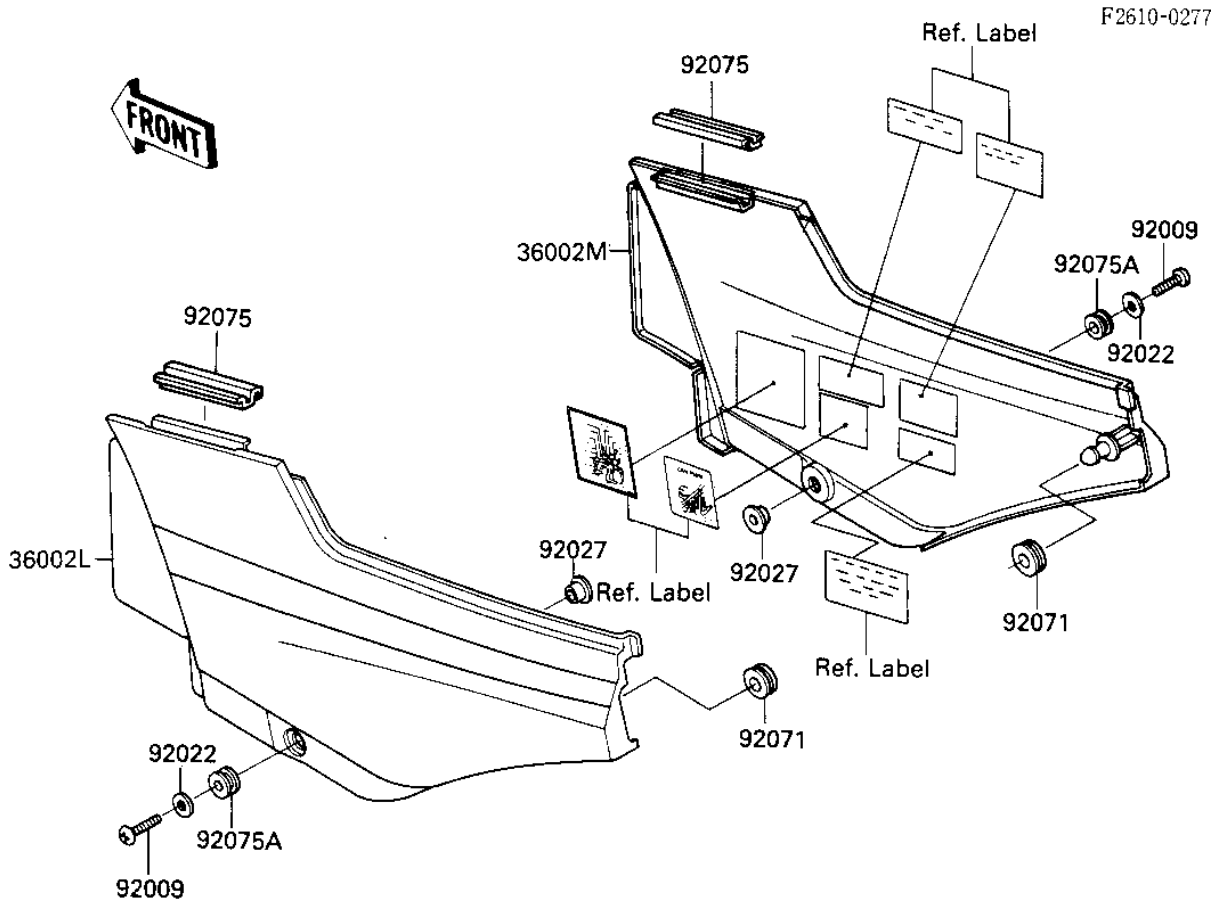


1986 Ninja® PARTS DIAGRAM

SIDE COVERS/CHAIN COVER



1986 Ninja® PARTS LIST

SIDE COVERS/CHAIN COVER

ITEM NAME	PART NUMBER	QUANTITY
COVER-SIDE,LH,RED/WHI (Ref # 36002L)	36002-5116-R4	1
COVER-SIDE,RH,RED/WHI (Ref # 36002M)	36002-5117-R4	1
CASE-CHAIN (Ref # 36014)	36014-1165	1
BOLT,6X16 (Ref # 92002)	92002-1136	2
SCREW (Ref # 92009)	92009-1663	2
WASHER,6.5X20X1.6 (Ref # 92022)	92022-1619	2
COLLAR (Ref # 92027)	92027-1795	2
GROMMET (Ref # 92071)	92071-056	2
DAMPER,SIDE COVER (Ref # 92075)	92075-1601	2
DAMPER (Ref # 92075A)	92075-1634	2