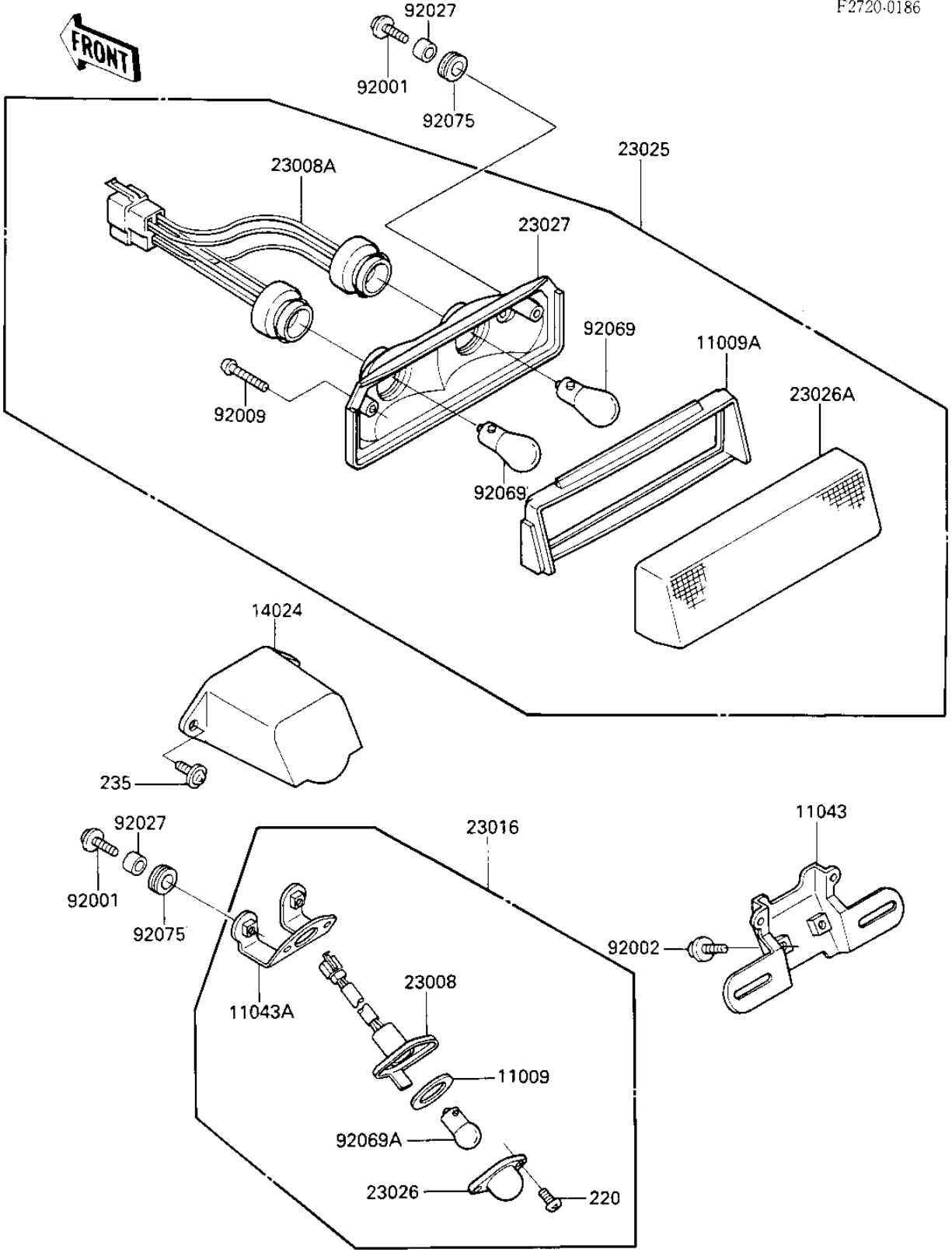


1986 Ninja® PARTS DIAGRAM

TAILLIGHT

F2720-0186



1986 Ninja® PARTS LIST

TAILLIGHT

| ITEM NAME | PART NUMBER | QUANTITY |
|--------------------------------------|-------------|----------|
| GASKET,LICENSE PLATE (Ref # 11009) | 11009-1372 | 1 |
| GASKET,TAIL LAMP (Ref # 11009A) | 11009-1404 | 1 |
| BRACKET,REFLECTOR (Ref # 11043) | 11043-1440 | 1 |
| BRACKET,LICENSE PLATE (Ref # 11043A) | 11043-1497 | 1 |
| COVER,LICENSE PLATE L (Ref # 14024) | 14025-1821 | 1 |
| SOCKET-ASSY,LICENSE P (Ref # 23008) | 23008-1221 | 1 |
| SOCKET-ASSY,TAIL LAMP (Ref # 23008A) | 23008-1225 | 1 |
| LAMP-ASSY,LICENSE PLA (Ref # 23016) | 23016-1053 | 1 |
| LAMP-TAIL (Ref # 23025) | 23025-1105 | 1 |
| LENS,LICENSE PLATE LA (Ref # 23026) | 23026-1054 | 1 |
| LENS,TAIL LAMP (Ref # 23026A) | 23026-1056 | 1 |
| BODY-COMP-TAIL LAMP (Ref # 23027) | 23027-1064 | 1 |
| BOLT,6X20 (Ref # 92001) | 92001-1773 | 4 |
| BOLT (Ref # 92002) | 92002-1351 | 2 |
| SCREW,TAPPING (Ref # 92009) | 92009-1056 | 2 |
| COLLAR 6.8X10X10.5 (Ref # 92027) | 92027-120 | 4 |
| BULB,12V 32/3CP (Ref # 92069) | 92069-059 | 2 |
| BULB,12V 4CP (Ref # 92069A) | 92069-1012 | 1 |
| DAMPER RUBBER,CASE (Ref # 92075) | 92075-222 | 4 |
| SCREW PAN HEAD 4X10 (Ref # 220) | 220B0410 | 2 |
| SCREW-PAN-WP-CROS (Ref # 235) | 235C0616 | 2 |