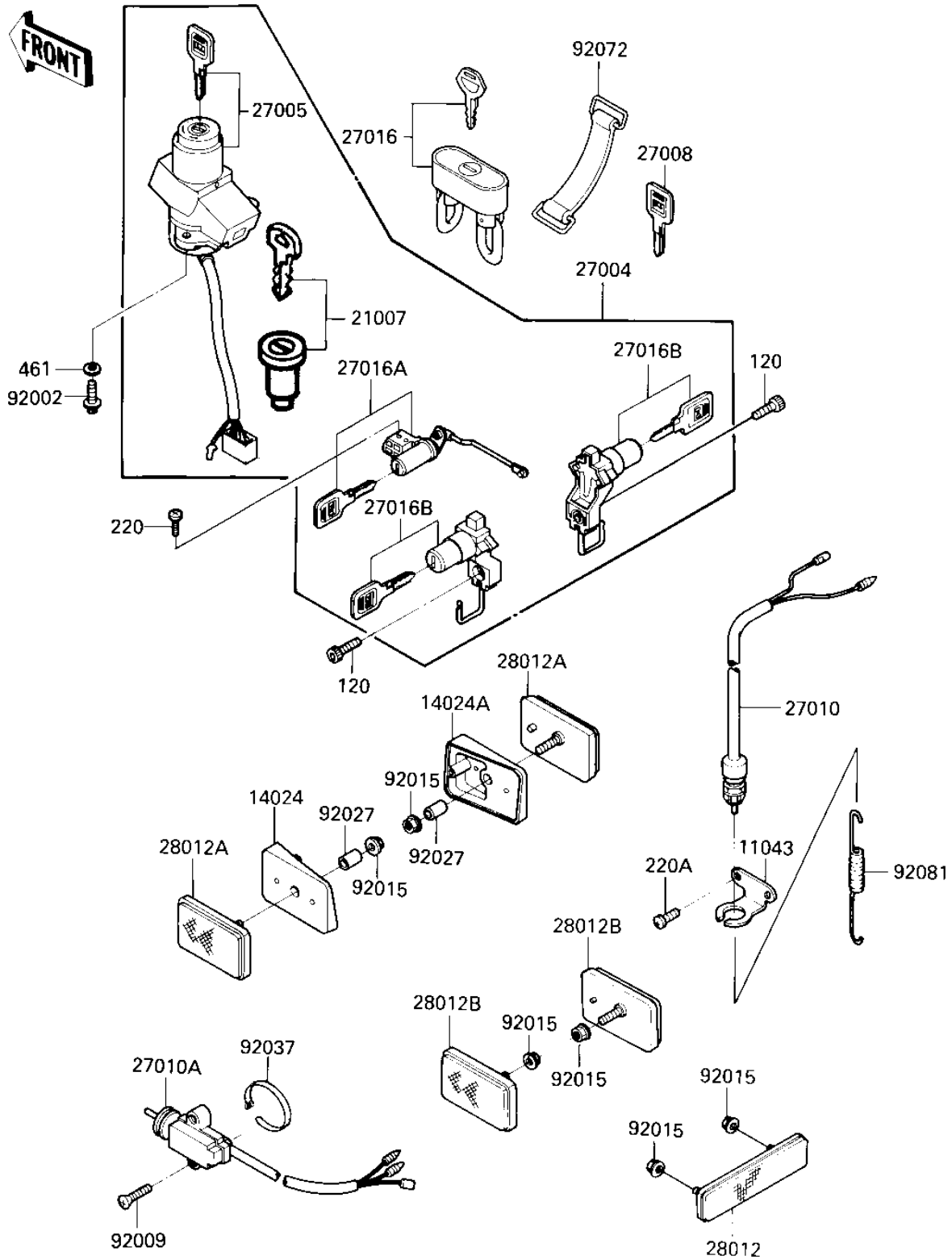


1986 Ninja® PARTS DIAGRAM

IGNITION SWITCH/LOCKS/REFLECTORS

F2770-0252



1986 Ninja® PARTS LIST

IGNITION SWITCH/LOCKS/REFLECTORS

| ITEM NAME | PART NUMBER | QUANTITY |
|-------------------------------------|-------------|----------|
| BRACKET,RR BRAKE SWIT (Ref # 11043) | 11043-1451 | 1 |
| COVER,REFLECTOR,FR (Ref # 14024) | 14025-1886 | 1 |
| COVER,REFLECTOR,FR (Ref # 14024A) | 14025-1887 | 1 |
| ROTOR,TANK CAP (Ref # 21007) | 21007-5008 | 1 |
| SWITCH-ASSY (Ref # 27004) | 27004-5273 | 1 |
| SWITCH-ASSY-IGNITION (Ref # 27005) | 27005-5056 | 1 |
| KEY-LOCK,BLANK (Ref # 27008) | 27008-1103 | 1 |
| SWITCH,BRAKE LAMP (Ref # 27010) | 27010-1019 | 1 |
| SWITCH,SIDE STAND (Ref # 27010A) | 27010-1169 | 1 |
| LOCK-ASSY (Ref # 27016) | 27016-1051 | 1 |
| LOCK-ASSY,SEAT (Ref # 27016A) | 27016-5079 | 1 |
| LOCK-ASSY,HELMET (Ref # 27016B) | 27016-5080 | 2 |
| REFLECTOR,REAR REFLEX (Ref # 28012) | 28012-1005 | 1 |
| REFLECTOR-REFLEX,FR (Ref # 28012A) | 28012-1052 | 2 |
| REFLECTOR-REFLEX,RR (Ref # 28012B) | 28012-1054 | 2 |
| BOLT (Ref # 92002) | 92002-1333 | 2 |
| SCREW (Ref # 92009) | 92009-1359 | 2 |
| NUT,FLANGED,5MM (Ref # 92015) | 92015-1259 | 6 |
| COLLAR,5X8X14.5 (Ref # 92027) | 92027-1789 | 2 |
| CLAMP,HARNESS (Ref # 92037) | 92037-1576 | 1 |
| BAND,BATTERY (Ref # 92072) | 92072-071 | 1 |
| SPRING,BRAKE LAMP SWI (Ref # 92081) | 92081-1673 | 1 |
| BOLT-SOCKET (Ref # 120) | 120S0612 | 2 |
| SCREW PAN HEAD 5X12 (Ref # 220) | 220B0512 | 2 |
| SCREW PAN HEAD 6X8 (Ref # 220A) | 220B0608 | 2 |
| WASHER SPRING 6MM (Ref # 461) | 461F0600 | 2 |