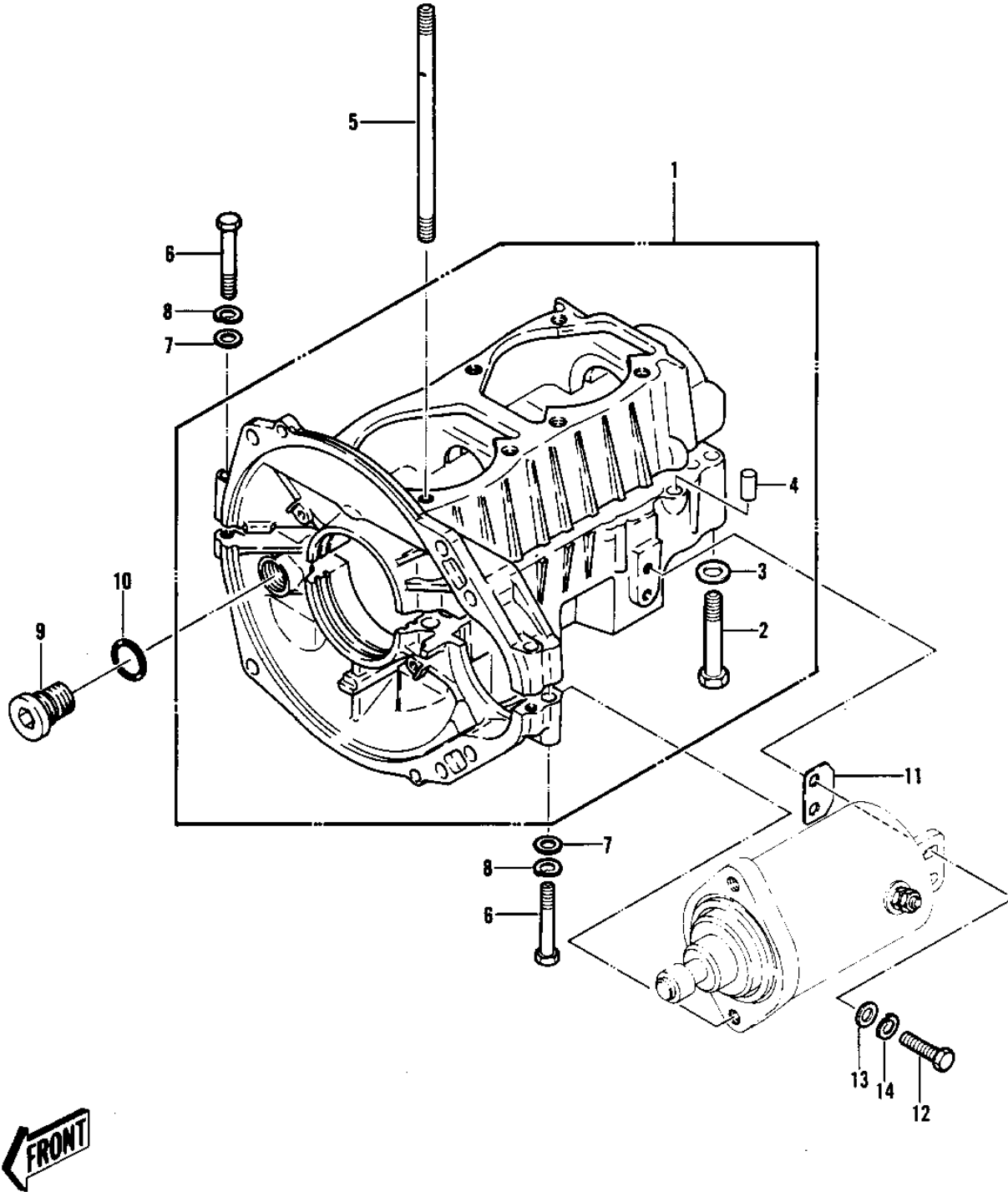


1982 JS440 PARTS DIAGRAM

CRANKCASE ('82-'83 JS440-A6/A7)



1982 JS440 PARTS LIST

CRANKCASE ('82-'83 JS440-A6/A7)

| ITEM NAME | PART NUMBER | QUANTITY |
|----------------------------------|-------------|----------|
| SET-CRANKCASE (Ref # 1) | 14001-5265 | 1 |
| SET-CRANKCASE (Ref # 1) | 14001-5265 | 1 |
| BOLT,8X60 (Ref # 2) | 92001-3033 | 10 |
| WASHER (Ref # 3) | 410S0800 | 10 |
| PIN-DOWEL (Ref # 4) | 92042-007 | 2 |
| STUD (Ref # 5) | 92004-507 | 8 |
| BOLT 6X40 (Ref # 6) | 110R0640 | 3 |
| WASHER (Ref # 7) | 410S0600 | 3 |
| WASHER-SPRING,6MM (Ref # 8) | 461S0600 | 3 |
| JOINT-STATOR WIRE (Ref # 9) | 59071-516 | 1 |
| "0" RING,16MM (Ref # 10) | 670B2016 | 1 |
| SHIM,STARTER,T=0.4M/M (Ref # 11) | 92025-3012 | AR |
| SHIM,STARTER,T=0.6M/M (Ref # 11) | 92025-3013 | AR |
| SHIM,STARTER,T=0.8M/M (Ref # 11) | 92025-3014 | AR |
| BOLT 6X20 (Ref # 12) | 110R0620 | 2 |
| WASHER (Ref # 13) | 410S0600 | 2 |
| WASHER-SPRING,6MM (Ref # 14) | 461S0600 | 2 |