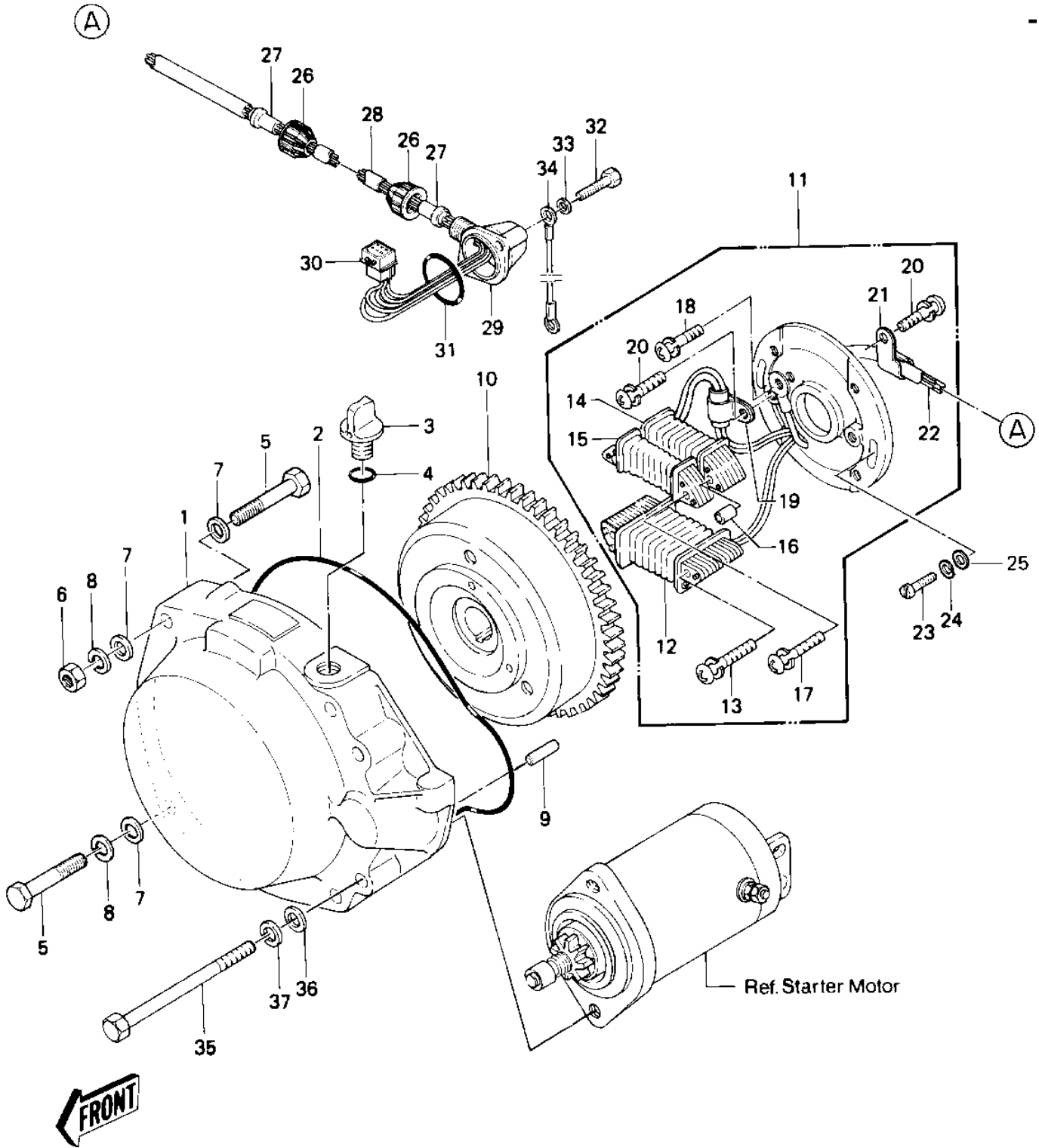


1983 JS440 PARTS DIAGRAM

GENERATOR (JS440-A6)



1983 JS440 PARTS LIST

GENERATOR (JS440-A6)

| ITEM NAME | PART NUMBER | QUANTITY |
|-------------------------------------|--------------|----------|
| COVER-GENERATOR (Ref # 1) | 14031-3705 | 1 |
| "O" RING (Ref # 2) | 92055-521 | 1 |
| BREATHER (Ref # 3) | 14069-3709 | 1 |
| "O" RING (Ref # 4) | 92055-515 | 1 |
| BOLT 8X50 (Ref # 5) | 110R0850 | 4 |
| NUT 8MM (Ref # 6) | 311R0800 | 2 |
| WASHER (Ref # 7) | 410S0800 | 6 |
| WASHER SPRING 8MM (Ref # 8) | 461S0800 | 4 |
| UNAVAILABLE IN PRICE BOOK (Ref # 9) | 551S0612 | 2 |
| FLYWHEEL ASSY,MAGNETO (Ref # 10) | 21050-3015 | 1 |
| STATOR ASSY,MAGNETO (Ref # 11) | 21003-3009 | 1 |
| COIL,CHARGE (Ref # 12) | 59031-3001 | 1 |
| SCREW 5X34 (Ref # 13) | 92011-530 | 2 |
| COIL,EXCITING (Ref # 14) | 21049-3006 | 1 |
| COIL,PULSING (Ref # 15) | 59026-3006 | 1 |
| COLLAR-COIL (Ref # 16) | 92027-3008 | 2 |
| SCREW (Ref # 17) | 92009-3006 | 2 |
| SCREW 4X6 (Ref # 18) | 92011-559 | 1 |
| CLAMP (Ref # 19) | 92037-520 | 1 |
| SCREW 4X8 (Ref # 20) | 92011-560 | 2 |
| CLAMP (Ref # 21) | 92037-547 | 1 |
| HARNESS,MAGNETO (Ref # 22) | 26001-3006 | 1 |
| SCREW PAN HEAD 5X20 (Ref # 23) | 220B0520 | 2 |
| WASHER SPRING 5MM (Ref # 24) | 461F0500 | 2 |
| WASHER (Ref # 25) | 92022-544 | 2 |
| CAP (Ref # 26) | 11012-3012 | 2 |
| GROMMET (Ref # 27) | 92071-3001 | 2 |
| TUBE,10X345 (Ref # 28) | 92059-3032 | 1 |
| CAP-MAGNETO HARNESS (Ref # 29) | 59176-517-YR | 1 |

1983 JS440 PARTS LIST

GENERATOR (JS440-A6)

| ITEM NAME | PART NUMBER | QUANTITY |
|------------------------------|-------------|----------|
| CONNECTOR,CORD (Ref # 30) | 59221-506 | 1 |
| "O" RING (Ref # 31) | 92055-520 | 1 |
| BOLT 6X35 (Ref # 32) | 110R0635 | 2 |
| WASHER (Ref # 33) | 410S0600 | 2 |
| WIRE-LEAD,L=300 (Ref # 34) | 26011-3006 | 1 |
| BOLT,8X80 (Ref # 35) | 92001-3011 | 2 |
| WASHER (Ref # 36) | 410S0800 | 2 |
| WASHER SPRING 8MM (Ref # 37) | 461S0800 | 2 |