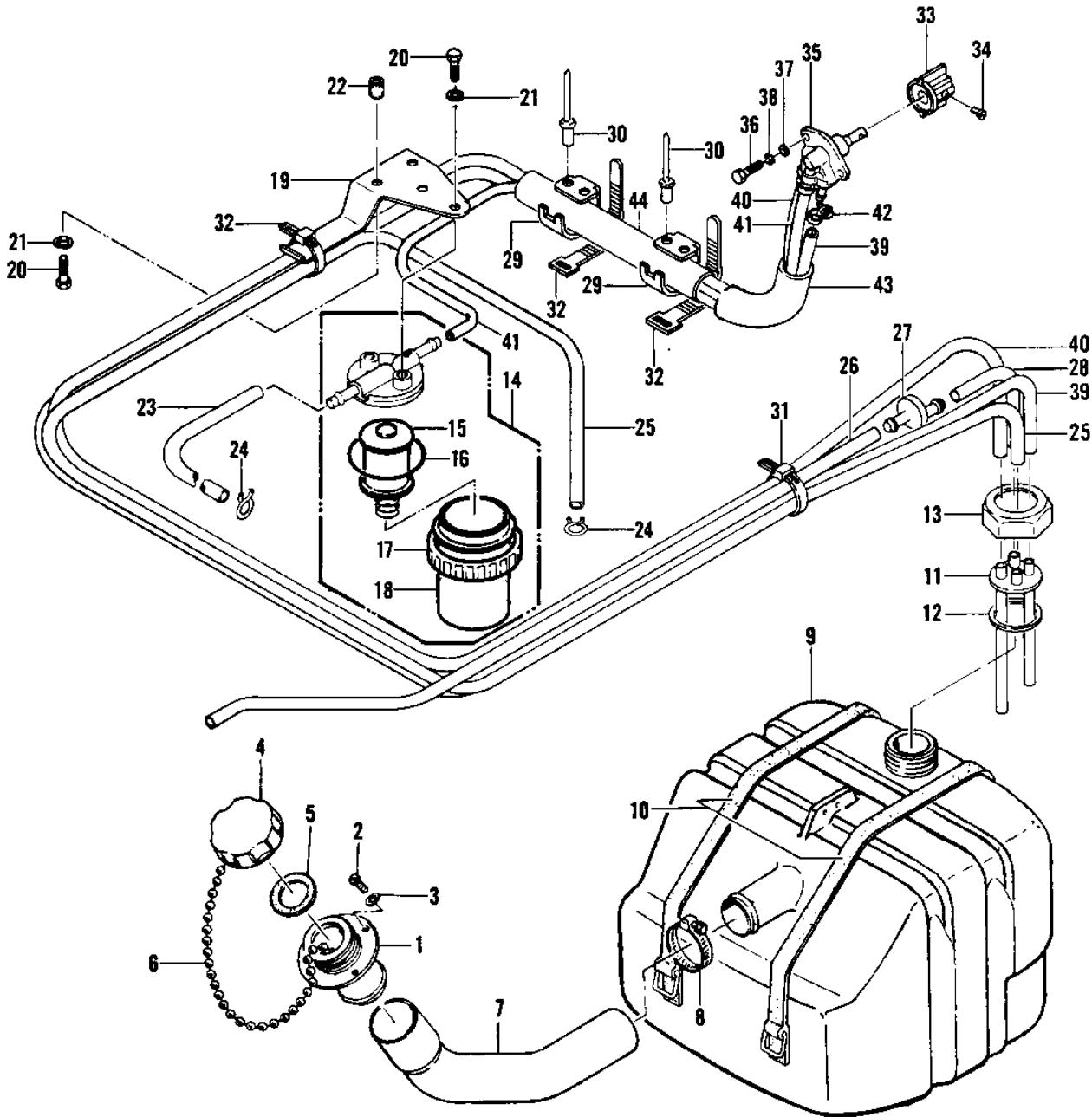


1983 JS440 PARTS DIAGRAM

FUEL TANK ('82-'83 JS440-A6/A7)



1983 JS440 PARTS LIST

FUEL TANK ('82-'83 JS440-A6/A7)

ITEM NAME	PART NUMBER	QUANTITY
FILLER,FUEL TANK (Ref # 1)	59231-3001	1
SCREW 0.16X0.5 (Ref # 2)	92011-562	4
WASHER (Ref # 3)	92022-563	4
CAP,FUEL TANK (Ref # 4)	51049-3001	1
GASKET,FUEL TANK CAP (Ref # 5)	11009-3020	1
CHAIN,COVER (Ref # 6)	92057-3704	1
HOSE,FUEL INLET,307.5 (Ref # 7)	92059-3020	1
HOSE CLAMP (Ref # 8)	92037-3009	1
TANK-FUEL (Ref # 9)	51004-3702	1
BAND,FUEL TANK (Ref # 10)	92072-521	2
OUTLET,FUEL (Ref # 11)	31064-3001	1
GASKET (Ref # 12)	92065-504	1
RETAINER (Ref # 13)	23072-501	1
FILTER-FUEL (Ref # 14)	49019-3701	1
FILTER,FUEL ELEMENT (Ref # 15)	14043-3701	1
"O" RING,FILTER BASE (Ref # 16)	92055-3006	1
NUT-RING,60MM (Ref # 17)	92015-3013	1
CUP,FUEL FILTER (Ref # 18)	51036-3701	1
CUP,FUEL FILTER (Ref # 18)	51036-3701	1
BRACKET,FUEL FILTER (Ref # 19)	11047-3743	1
BOLT 6X12 (Ref # 20)	110R0612	4
WASHER-SPRING,6MM (Ref # 21)	461S0600	4
NUT-INSERT,6MM \$\$ (Ref # 22)	92015-533	2
UNAVAILABLE IN PRICE BOOK (Ref # 23)	92059-301	1
CLAMP,SPARK PLUG CAP (Ref # 24)	92037-1173	2
TUBE,6X10X760 (Ref # 25)	92059-3012	1
TUBE,FUEL,6X10X940 (Ref # 26)	92059-3025	1
VALVE,RELIEF (Ref # 27)	49057-3001	1
TUBE,FUEL,5.8X12.2X55 (Ref # 28)	92059-3026	1

1983 JS440 PARTS LIST

FUEL TANK ('82-'83 JS440-A6/A7)

ITEM NAME	PART NUMBER	QUANTITY
CLAMP,TUBE (Ref # 29)	92037-3005	2
RIVET-FUEL LINE CLAMP (Ref # 30)	59281-505	4
BAND,SHORT (Ref # 31)	92072-030	1
BAND,MIDDLE (Ref # 32)	92072-031	3
KNOB,COCK (Ref # 33)	92077-503	1
SCREW-PAN-CROS (Ref # 34)	220R0408	1
TAP-ASSY,FUEL (Ref # 35)	51023-3705	1
BOLT,5X12 (Ref # 36)	110R0512A	2
WASHER (Ref # 37)	411S0500	2
TUBE,6X1300 (Ref # 39)	92059-552	1
TUBE,6X1300,RESERVE (Ref # 40)	92059-553	1
TUBE,6X10X960 (Ref # 41)	92059-3007	1
CLAMP (Ref # 42)	92037-551	3
TUBE,GUARD (Ref # 43)	92059-3008	1
TUBE,VINYL,22X350 (Ref # 44)	92059-3018	1