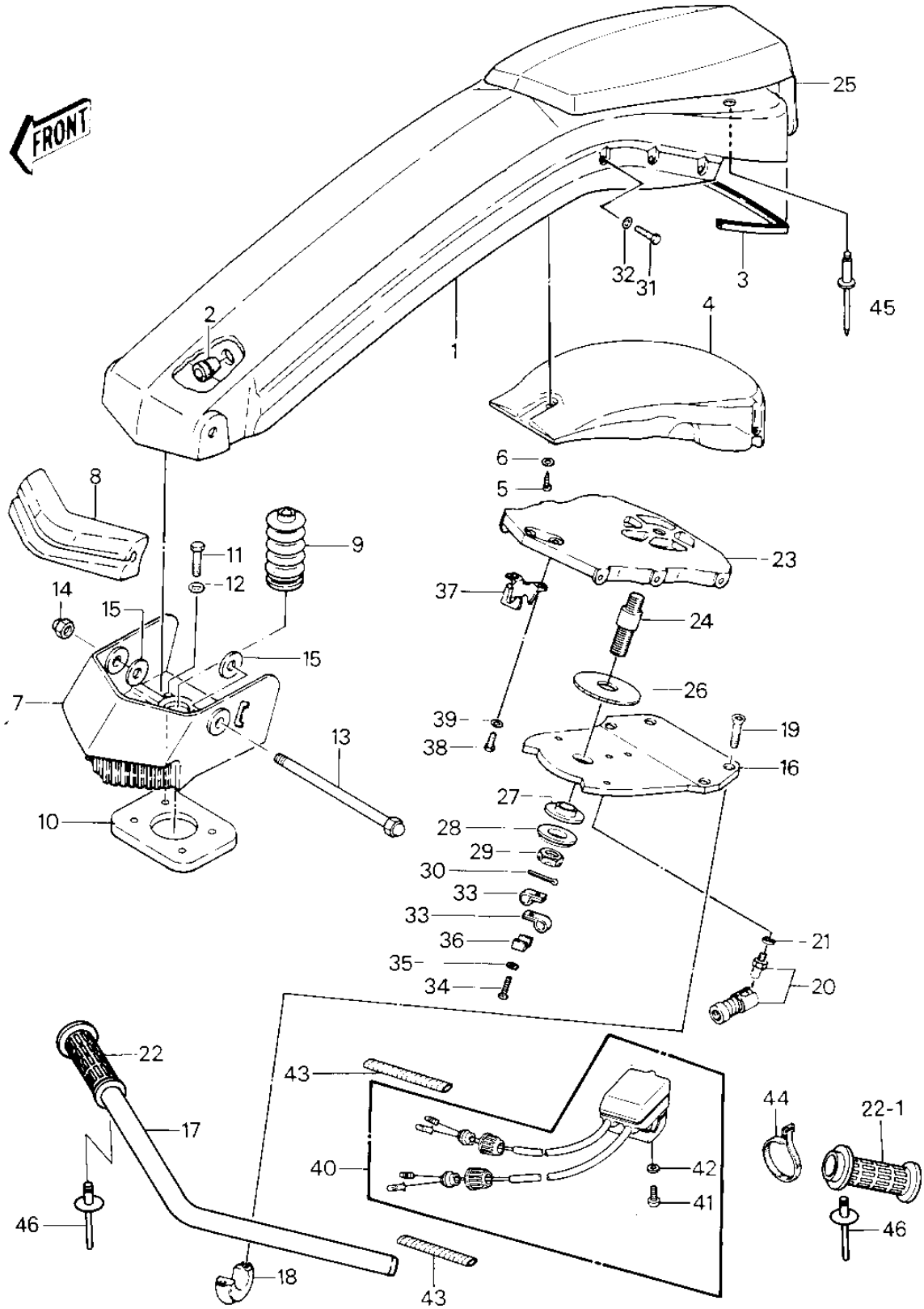


1984 JS440 PARTS DIAGRAM

HANDLE POLE/SWITCHES ('84-'86 JS44)



1984 JS440 PARTS LIST

HANDLE POLE/SWITCHES ('84-'86 JS44)

ITEM NAME	PART NUMBER	QUANTITY
POLE-HANDLE-PLAIN (Ref # 1)	59166-3002-8C	1
GROMMET (Ref # 2)	92071-530	1
GROMMET (Ref # 3)	92071-534	1
FLOAT ASSY, HANDLE (Ref # 4)	16031-506	1
SCREW 0.16X0.5 (Ref # 5)	92011-562	3
WASHER (Ref # 6)	92022-563	3
BRACKET,HANDLE POLE (Ref # 7)	39021-3701	1
DAMPER (Ref # 8)	92075-519	1
COVER-STEERING CABLE (Ref # 9)	59176-514	1
PLATE-POLE BRACKET (Ref # 10)	59086-538	1
BOLT,8X30 (Ref # 11)	92150-3721	4
WASHER (Ref # 12)	411S0800	4
BOLT,14X183 (Ref # 13)	92001-3018	1
NUT 14M/M (Ref # 14)	92015-507	1
WASHER,O36XO15X4.5T (Ref # 15)	92022-3024	2
PLATE,HANDLEBAR (Ref # 16)	13169-3004	1
HANDLEBAR (Ref # 17)	32032-3017	1
CLAMP,HANDLE PIPE (Ref # 18)	92037-503	2
SCREW,8X22 (Ref # 19)	92009-3701	4
JOINT-BALL (Ref # 20)	59266-3707	1
WASHER-SPRING,6MM (Ref # 21)	461S0600	1
GRIP,HANDLE,RH (Ref # 22)	46075-3704	1
GRIP,HANDLE,RH (Ref # 22-1)	46075-3704	1
BRACKET,SUPPORT (Ref # 23)	11046-3847	1
STUD (Ref # 24)	92004-3701	1
PAD-HANDLE (Ref # 25)	39087-3701	1
BUSHING (Ref # 26)	92028-512	1
BUSHING (Ref # 27)	92028-513	1
WASHER (Ref # 28)	92022-571	1

1984 JS440 PARTS LIST

HANDLE POLE/SWITCHES ('84-'86 JS44)

ITEM NAME	PART NUMBER	QUANTITY
NUT,CASTLE,18M/M (Ref # 29)	92015-3006	1
PIN-COTTER,4X40 (Ref # 30)	550S4040	1
BOLT 6X16 (Ref # 31)	110R0616	6
WASHER (Ref # 32)	411S0600	6
CLAMP,LEAD WIRE (Ref # 33)	92037-3007	2
SCREW-PAN-CROS (Ref # 34)	220R0516	1
WASHER-SPRING,5MM (Ref # 35)	461S0500	1
WASHER,CLAMP (Ref # 36)	92022-3014	1
HOLDER,CABLE (Ref # 37)	14044-3001	1
BOLT 6X12 (Ref # 38)	110R0612	2
WASHER-SPRING,6MM (Ref # 39)	461S0600	2
SWITCH ASSY (Ref # 40)	27004-3002	1
SCREW,PAN HEAD,5X20 (Ref # 41)	220R0520A	4
WASHER,PLAIN,5MM (Ref # 42)	410S0500	4
TUBE,SPIRAL (Ref # 43)	92059-3010	2
BAND,MIDDLE (Ref # 44)	92072-031	1
RIVET (Ref # 45)	92039-3712	6