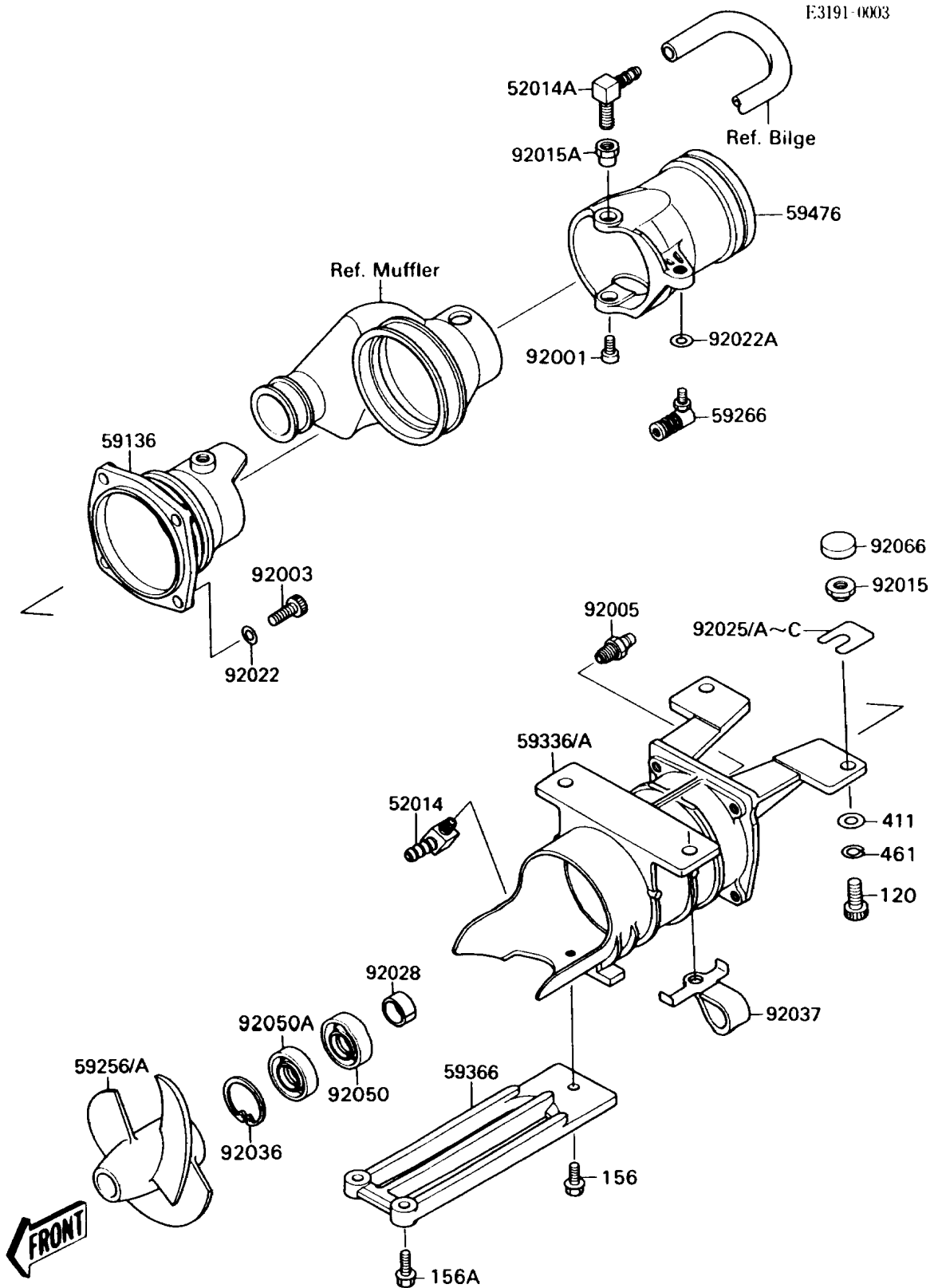


1987 300 SX PARTS DIAGRAM

Jet Pump(JS300-A1)



1987 300 SX PARTS LIST

Jet Pump(JS300-A1)

ITEM NAME	PART NUMBER	QUANTITY
ELBOW (Ref # 52014)	52014-3002	1
ELBOW (Ref # 52014A)	52014-3701	1
NOZZLE-PUMP (Ref # 59136)	59136-3702	1
IMPELLER (Ref # 59256)	59256-3702	1
IMPELLER (Ref # 59256A)	59256-3706	1
JOINT-BALL (Ref # 59266)	59266-3701	1
CASE-PUMP (Ref # 59336)	59336-3701	1
CASE-PUMP (Ref # 59336A)	59336-3706	1
GRATE (Ref # 59366)	59366-3001	1
NOZZLE-STRG (Ref # 59476)	59476-3704	1
BOLT,SOCKET,6X11 (Ref # 92001)	92001-3701	1
BOLT,8X22 (Ref # 92003)	92003-528	4
FITTING,GREASE (Ref # 92005)	92005-501	1
NUT,10MM (Ref # 92015)	92015-3005	4
NUT,10MM (Ref # 92015A)	92015-3732	1
WASHER (Ref # 92022)	92022-562	4
WASHER (Ref # 92022A)	92022-567	1
SHIM,T=0.3MM (Ref # 92025)	92025-3701	AR
SHIM,T=0.5MM (Ref # 92025A)	92025-3702	AR
SHIM,T=1.0MM (Ref # 92025B)	92025-3703	AR
SHIM,T=1.5MM (Ref # 92025C)	92025-3704	AR
BUSHING (Ref # 92028)	92028-503	1
RING-SNAP (Ref # 92036)	92036-502	1
CLAMP (Ref # 92037)	92037-3731	1
SEAL-OIL,SCY20368 (Ref # 92050)	92050-502	1
SEAL-OIL,SC20367 (Ref # 92050A)	92050-503	1
PLUG (Ref # 92066)	92066-3703	4
BOLT-SOCKET (Ref # 120)	120R1025	4
BOLT-WP,6X12 (Ref # 156)	156R0612	1

1987 300 SX PARTS LIST

Jet Pump(JS300-A1)

ITEM NAME	PART NUMBER	QUANTITY
BOLT-WP (Ref # 156A)	156R0630	2
WASHER-PLAIN,10MM (Ref # 411)	411S1000	4
WASHER-SPRING,10MM (Ref # 461)	461S1000	4