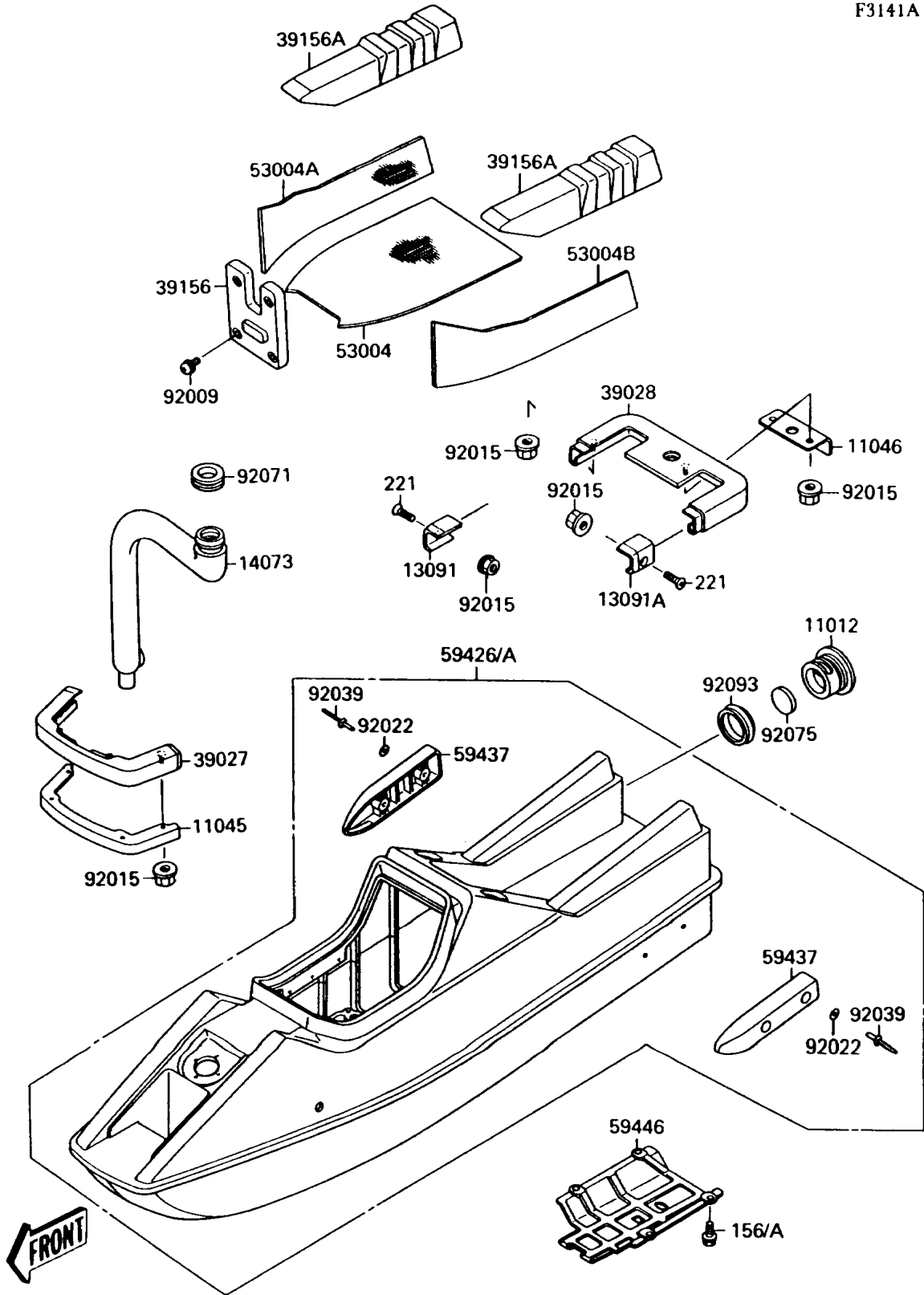


# 1990 300 SX PARTS DIAGRAM

Hull(JS300-A3/A4/A5)

F3141A



# 1990 300 SX PARTS LIST

Hull(JS300-A3/A4/A5)

ITEM NAME	PART NUMBER	QUANTITY
CAP (Ref # 11012)	11012-3708	2
BRACKET,FRONT BUMPER (Ref # 11045)	11045-3707	1
BRACKET,REAR BUMPER (Ref # 11046)	11046-3816	1
HOLDER,DECK,RH (Ref # 13091)	13091-3719	1
HOLDER,DECK,LH (Ref # 13091A)	13091-3720	1
DUCT (Ref # 14073)	14073-3702	1
BUMPER-FRONT (Ref # 39027)	39027-3701	1
BUMPER-REAR (Ref # 39028)	39028-3710	1
PAD,DASHBOARD (Ref # 39156)	39156-3701	1
PAD,DECK FIN (Ref # 39156A)	39156-3703	2
MAT,FLOOR (Ref # 53004)	53004-3711	1
MAT,DECK SIDE,RH (Ref # 53004A)	53004-3728	1
MAT,DECK SIDE,LH (Ref # 53004B)	53004-3729	1
HULL-COMP,JET WHITE (Ref # 59426A)	59426-3767-8C	1
STABILIZER (Ref # 59437)	59437-3002	2
COVER-JET PUMP (Ref # 59446)	59446-3702	1
SCREW,6X16 (Ref # 92009)	92009-3721	4
NUT,FLANGED,5MM (Ref # 92015)	92015-3768	12
WASHER,5X16X1.5 (Ref # 92022)	92022-3041	4
RIVET (Ref # 92039)	92039-3002	4
GROMMET (Ref # 92071)	92071-3724	1
DAMPER (Ref # 92075)	92075-3719	2
SEAL,OSR70X82X7.5 (Ref # 92093)	92093-3704	2
BOLT-WP,6X25 (Ref # 156A)	156R0625	4
SCREW-CSK-CROS,5X20 (Ref # 221)	221R0520	2