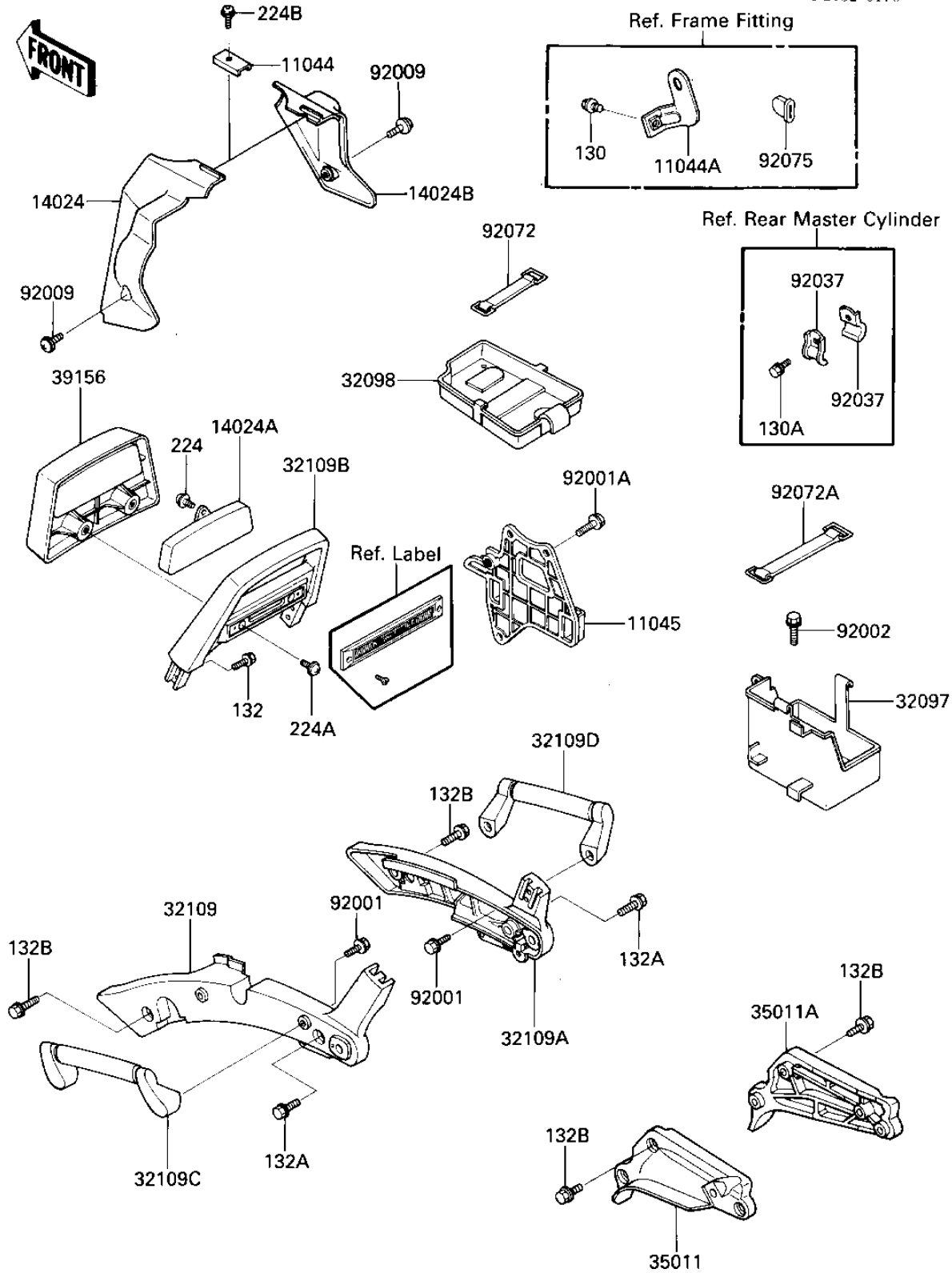


1987 ZL1000 Eliminator PARTS DIAGRAM

BATTERY CASE/TOOL CASE

F2132-0170



1987 ZL1000 Eliminator PARTS LIST

BATTERY CASE/TOOL CASE

ITEM NAME	PART NUMBER	QUANTITY
BRACKET,GUSSET COVER (Ref # 11044)	11044-1293	1
BRACKET (Ref # 11044A)	11044-1424	1
BRACKET,ELECTRIC BASE (Ref # 11045)	11045-1152	1
COVER,FUEL TANK,LH (Ref # 14024)	14024-1075	1
COVER (Ref # 14024A)	14024-1361	1
COVER,FUEL TANK,RH (Ref # 14024B)	14024-1364	1
CASE-BATTERY (Ref # 32097)	32097-1128	1
CASE-TOOL (Ref # 32098)	32098-1073	1
GRIP-FRAME,LWR,LH (Ref # 32109)	32109-1143	1
GRIP-FRAME,LWR,RH (Ref # 32109A)	32109-1144	1
GRIP-FRAME,UPP (Ref # 32109B)	32109-1145	1
GRIP-FRAME,LH (Ref # 32109C)	32109-1146	1
GRIP-FRAME,RH (Ref # 32109D)	32109-1147	1
STAY,MUFFLER,LH (Ref # 35011)	35011-1251	1
STAY,MUFFLER,RH (Ref # 35011A)	35011-1252	1
PAD (Ref # 39156)	39156-1066	1
BOLT,FLANGED,6X22 (Ref # 92001)	92001-1352	4
BOLT,6X12 (Ref # 92001A)	92002-1884	3
BOLT (Ref # 92002)	92002-1351	3
SCREW (Ref # 92009)	92009-1663	2
CLAMP,BRAKE HOSE (Ref # 92037)	92037-1670	2
BAND-SPARK PLUG COVER (Ref # 92072)	92072-053	1
BAND (Ref # 92072A)	92072-1188	1
DAMPER,SIDE COVER (Ref # 92075)	92075-1445	1
BOLT-FLANGED,6X10,BLA (Ref # 130)	130C0610	1
BOLT-FLANGED,6X12 (Ref # 130A)	130C0612	1
BOLT-FLANGED-SMALL (Ref # 132)	132E0612	4
BOLT-FLANGED-SMALL (Ref # 132A)	132E0820	2
BOLT-FLANGED-SMALL (Ref # 132B)	132E0825	6

1987 ZL1000 Eliminator PARTS LIST

BATTERY CASE/TOOL CASE

ITEM NAME	PART NUMBER	QUANTITY
SCREW-PAN-WP-CROS (Ref # 224)	224B0410	3
SCREW-PAN-WP-CROS (Ref # 224A)	224B0620	2
SCREW-PAN-WP-CROS (Ref # 224B)	224C0520	1