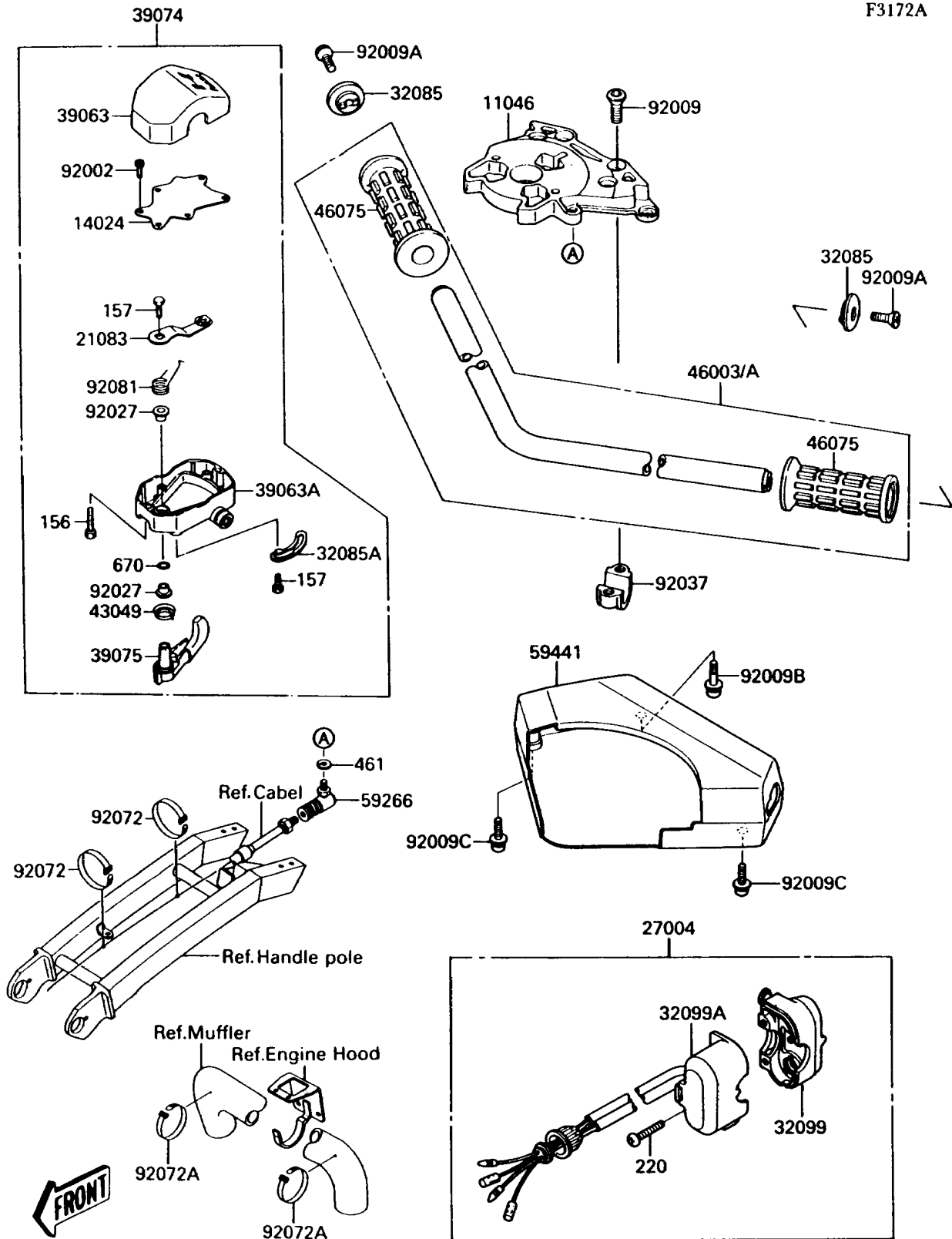


1989 300 SX PARTS DIAGRAM

Handlebar(JS300-A2/A3/A4)



1989 300 SX PARTS LIST

Handlebar(JS300-A2/A3/A4)

ITEM NAME	PART NUMBER	QUANTITY
BRACKET,HANDLEBAR (Ref # 11046)	11046-3716	1
COVER,THROTTLE LEVER (Ref # 14024)	14024-3701	1
ARM,THROTTLE LEVER (Ref # 21083)	21083-3701	1
SWITCH-ASSY,START&STOP (Ref # 27004)	27004-3702	1
STOPPER (Ref # 32085)	32085-3705	2
STOPPER (Ref # 32085A)	32085-3709	1
CASE,FR,SWITCH (Ref # 32099)	32099-3721	1
CASE,RR,SWITCH (Ref # 32099A)	32099-3722	1
HOUSING-CONTROL,UPP (Ref # 39063)	39063-3703	1
HOUSING-CONTROL,LWR (Ref # 39063A)	39063-3707	1
LEVER-ASSY-THROTTLE (Ref # 39074)	39074-3711	1
LEVER-THROTTLE (Ref # 39075)	39075-3704	1
PACKING,THROTTLE LEVER (Ref # 43049)	43049-3701	1
HANDLE (Ref # 46003)	46003-3705	1
GRIP,HANDLEBAR (Ref # 46075)	46075-3713	2
JOINT-BALL (Ref # 59266)	59266-3701	1
COVER-HANDLE (Ref # 59441)	59441-3705	1
BOLT,SOCKET,3X10 (Ref # 92002)	92002-3751	6
SCREW,8X22 (Ref # 92009)	92009-3701	4
SCREW,6X16 (Ref # 92009A)	92009-3703	2
SCREW,5X35 (Ref # 92009B)	92009-3719	1
SCREW,6X25 (Ref # 92009C)	92009-3720	2
COLLAR,THROTTLE LEVER (Ref # 92027)	92027-3704	2
CLAMP,HANDLEBAR (Ref # 92037)	92037-503	2
BAND,L=123 (Ref # 92072)	92072-030	2
BAND,L=278 (Ref # 92072A)	92072-1087	2
SPRING,THROTTLE LEVER RETURN (Ref # 92081)	92081-3702	1
BOLT-WP,5X25 (Ref # 156)	156R0525	2
BOLT-WSP,5X12 (Ref # 157)	157R0512	2

1989 300 SX PARTS LIST

Handlebar(JS300-A2/A3/A4)

ITEM NAME	PART NUMBER	QUANTITY
SCREW-PAN-CROS,5X30 (Ref # 220)	220R0530	2
WASHER-SPRING,6MM (Ref # 461)	461S0600	1
O RING,8MM (Ref # 670)	670B1508	1