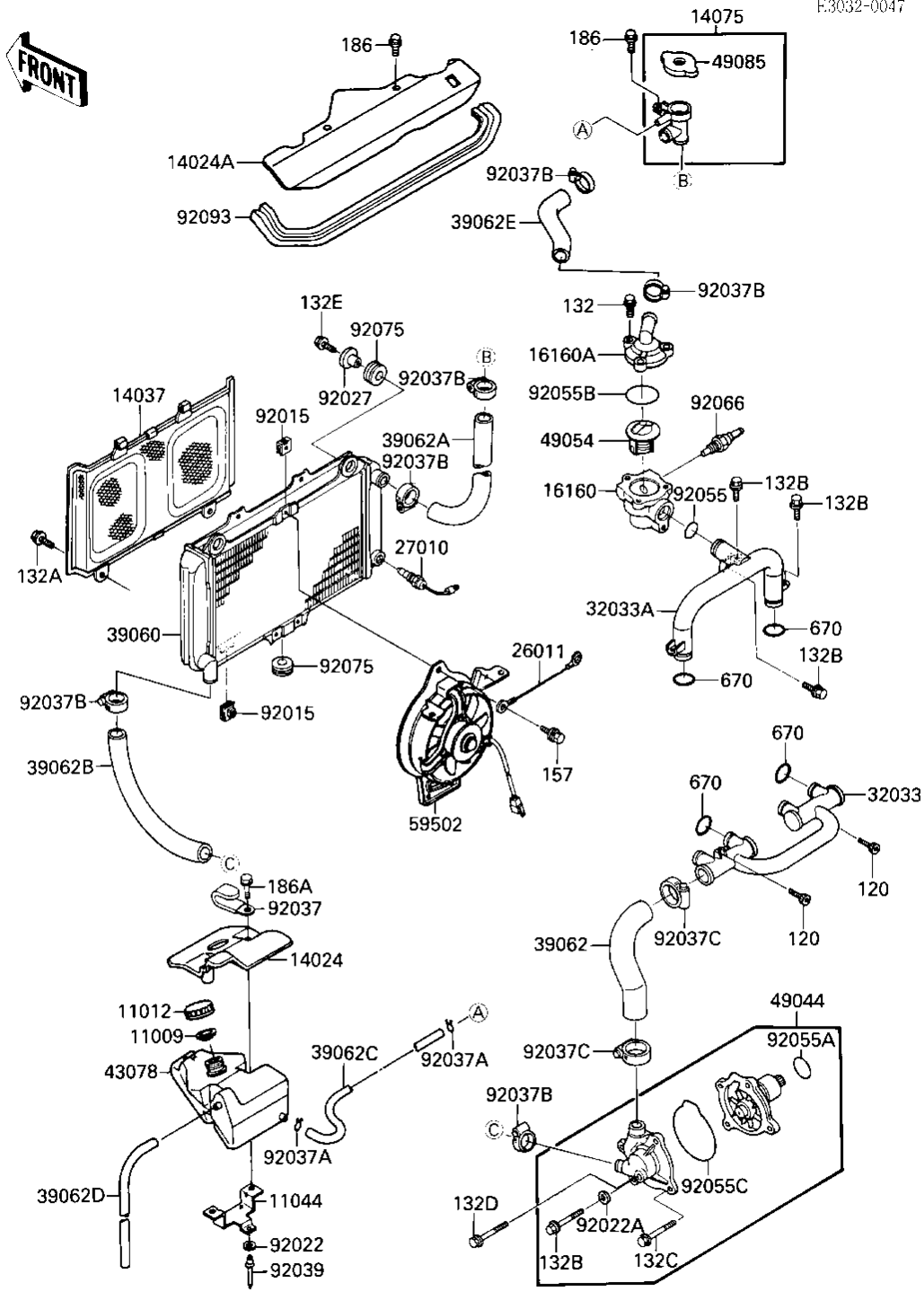


# 1987 Ninja® 600RX PARTS DIAGRAM

## RADIATOR/FAN/WATER PUMP

F.3032-0047

Re  
No



# 1987 Ninja® 600RX PARTS LIST

## RADIATOR/FAN/WATER PUMP

ITEM NAME	PART NUMBER	QUANTITY
GASKET,RESERVE TANK (Ref # 11009)	11009-1145	1
CAP,RESERVE TANK (Ref # 11012)	11012-1084	1
BRACKET,RESERVOIR (Ref # 11044)	11044-1170	1
COVER (Ref # 14024)	14024-1090	1
COVER,RADIATOR (Ref # 14024A)	14024-1137	1
SCREEN (Ref # 14037)	14037-1083	1
CAP-ASSY (Ref # 14075)	14075-1061	1
BODY,THERMOSTAT,LWR (Ref # 16160)	16160-1092	1
BODY (Ref # 16160A)	16160-1129	1
WIRE-LEAD,GROUND (Ref # 26011)	26011-1360	1
SWITCH,FAN (Ref # 27010)	27010-1180	1
PIPE (Ref # 32033)	32033-1593	1
PIPE (Ref # 32033A)	32033-1594	1
RADIATOR (Ref # 39060)	39060-1067	1
HOSE-COOLING (Ref # 39062)	39062-1111	1
HOSE-COOLING (Ref # 39062A)	39062-1113	1
HOSE-COOLING (Ref # 39062B)	39062-1114	1
HOSE-COOLING (Ref # 39062C)	39062-1269	1
HOSE-COOLING (Ref # 39062D)	39062-1269	1
HOSE-COOLING (Ref # 39062E)	39062-1130	1
RESERVOIR (Ref # 43078)	43078-1062	1
PUMP-WATER (Ref # 49044)	49044-1054	1
THERMOSTAT (Ref # 49054)	49054-1055	1
CAP-ASSY-PRESSURE (Ref # 49085)	49085-1003	1
FAN-ASSY (Ref # 59502)	59502-1057	1
NUT (Ref # 92015)	92015-1487	2
WASHER,5.2X16X16X1.2T (Ref # 92022)	25009-004	3
WASHER,6MM (Ref # 92022A)	92022-1627	1
COLLAR,FUEL TANK FITT (Ref # 92027)	92027-1134	2

# 1987 Ninja® 600RX PARTS LIST

## RADIATOR/FAN/WATER PUMP

ITEM NAME	PART NUMBER	QUANTITY
CLAMP,WIRING HARNESS (Ref # 92037)	92037-1069	1
CLAMP,CHAIN OILER (Ref # 92037A)	92037-147	2
CLAMP,COOLING HOSE (Ref # 92037B)	92037-1589	6
CLAMP,COOLING HOSE (Ref # 92037C)	92037-1600	2
RIVET (Ref # 92039)	92039-1038	3
"O" RING (Ref # 92055)	92055-1081	1
RING-O,33MM (Ref # 92055A)	92055-1266	1
RING-O,45MM (Ref # 92055B)	92055-1279	1
RING-O,WATER PUMP (Ref # 92055C)	92055-1315	1
PLUG,SENSOR WATER (Ref # 92066)	92066-1183	1
DAMPER (Ref # 92075)	92160-1007	3
SEAL,RADIATOR COVER (Ref # 92093)	92093-1189	1
BOLT-SOCKET (Ref # 120)	120S0612	2
BOLT-FLANGED-SMALL (Ref # 132)	132E0620	3
BOLT-FLANGED-SMALL,6X (Ref # 132A)	132J0610	2
BOLT-FLANGED-SMALL (Ref # 132B)	132J0612	5
BOLT-FLANGED-SMALL (Ref # 132C)	132J0625	3
BOLT-FLANGED-SMALL (Ref # 132D)	132J0645	1
BOLT-FLANGED-SMALL (Ref # 132E)	132J0825	2
BOLT-WSP (Ref # 157)	157J0616	3
BOLT-UPSET-WP (Ref # 186)	186C0614	4
BOLT-UPSET-WP (Ref # 186A)	186C0650	2