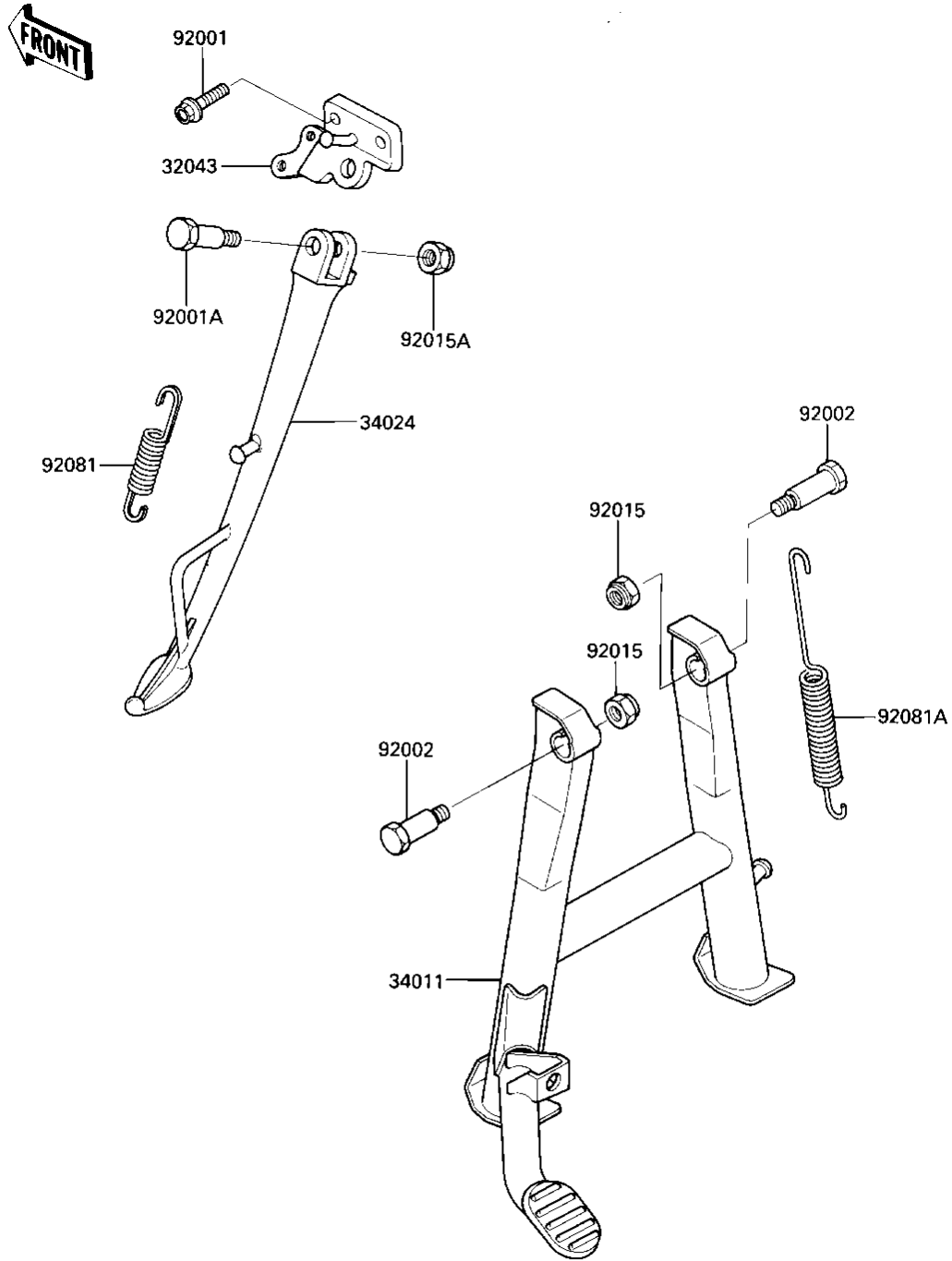


1987 Ninja® 600RX PARTS DIAGRAM

STANDS

F2190-0200

Re
No



1987 Ninja® 600RX PARTS LIST

STANDS

| ITEM NAME | PART NUMBER | QUANTITY |
|-------------------------------------|-------------|----------|
| BRACKET-STAND,SIDE (Ref # 32043) | 32043-1263 | 1 |
| STAND-CENTER (Ref # 34011) | 34011-1122 | 1 |
| STAND-SIDE (Ref # 34024) | 34024-1192 | 1 |
| BOLT,8X28 (Ref # 92001) | 92001-1095 | 2 |
| BOLT, SIDE STAND FIT (Ref # 92001A) | 92003-157 | 1 |
| BOLT,CENTER STAND (Ref # 92002) | 92002-1518 | 2 |
| NUT,LOCK,10MM,BLACK (Ref # 92015) | 92015-1188 | 2 |
| NUT,LOCK,10MM (Ref # 92015A) | 92019-021 | 1 |
| SPRING,SIDE STAND (Ref # 92081) | 92081-1676 | 1 |
| SPRING,CENTER STAND (Ref # 92081A) | 92081-1834 | 1 |