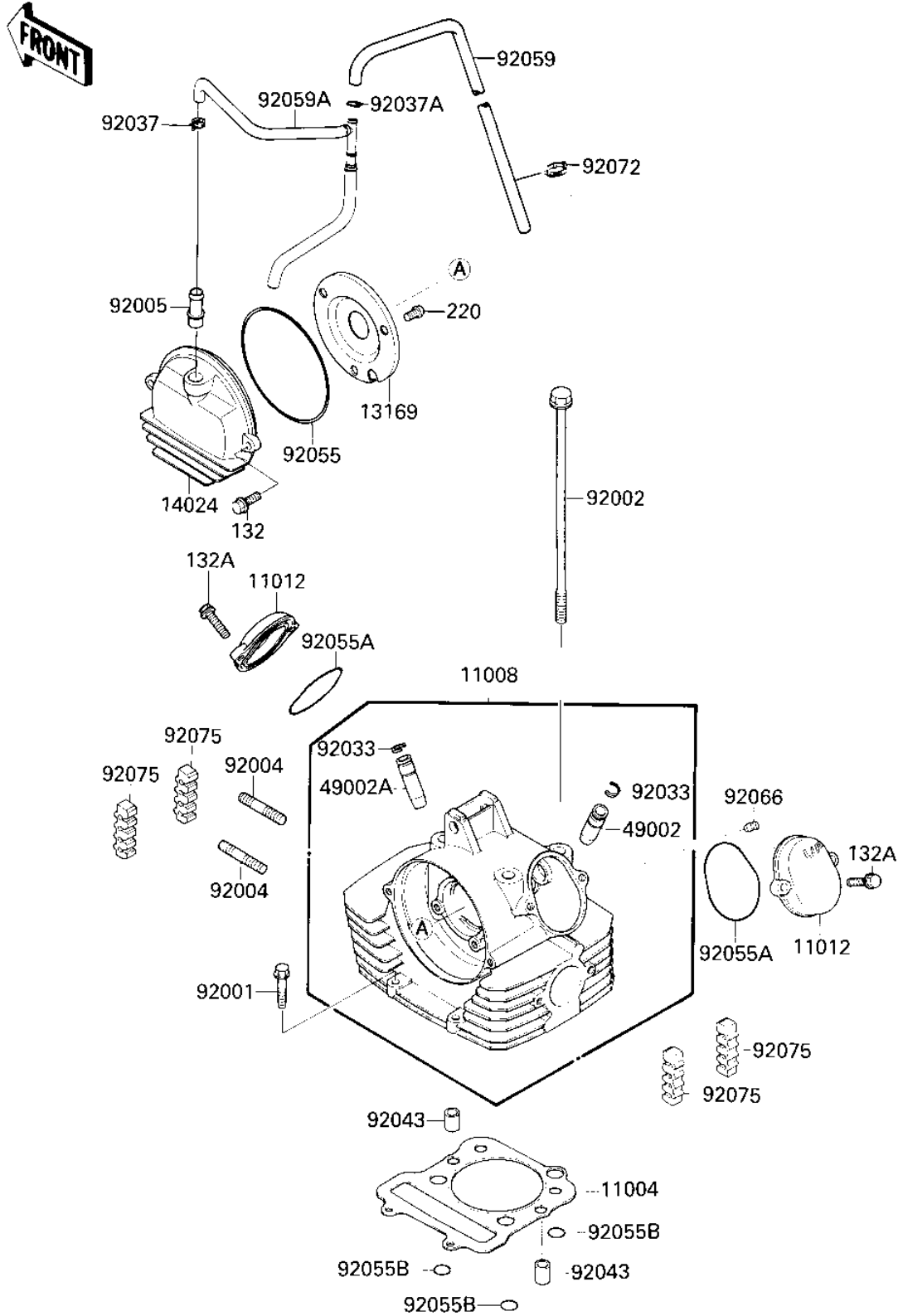


1987 Bayou 300 PARTS DIAGRAM

CYLINDER HEAD

E1111-0189



1987 Bayou 300 PARTS LIST

CYLINDER HEAD

ITEM NAME	PART NUMBER	QUANTITY
GASKET-HEAD (Ref # 11004)	11004-1136	1
HEAD-ASSY-CYLINDER (Ref # 11008)	11002-5042	1
CAP,ROCKER ARM (Ref # 11012)	11012-1486	2
PLATE,CAMSHAFT COVER (Ref # 13169)	13169-1961	1
COVER,CAMSHAFT (Ref # 14024)	14024-1060	1
GUIDE,INLET VALVE (Ref # 49002)	12013-009	1
GUIDE,EXHAUST VALVE (Ref # 49002A)	49002-1002	1
BOLT,6X32 (Ref # 92001)	92003-229	2
BOLT,8X233 (Ref # 92002)	92002-1515	4
STUD,8X30 (Ref # 92004)	92004-1121	2
FITTING,BREATHER PIPE (Ref # 92005)	92005-1124	1
CIRCLIP-VALVE (Ref # 92033)	92036-023	2
CLAMP (Ref # 92037)	92037-1181	1
CLAMP,FUEL TUBE (Ref # 92037A)	92037-1271	1
PIN,DOWEL,8.2X10X14 (Ref # 92043)	92043-1264	2
"O" RING,99M/M (Ref # 92055)	92055-107	1
"O" RING,53.5MM (Ref # 92055A)	92055-112	2
RING-O,10MM (Ref # 92055B)	92055-1149	3
TUBE (Ref # 92059)	92059-1511	1
TUBE (Ref # 92059A)	92059-1787	1
PLUG (Ref # 92066)	92066-042	1
BAND,MIDDLE (Ref # 92072)	92072-031	1
DAMPER (Ref # 92075)	92075-1657	4
BOLT-FLANGED-SMALL (Ref # 132)	132Y0616	2
BOLT-FLANGED-SMALL (Ref # 132A)	132Y0625	4
SCREW PAN HEAD 6X10 (Ref # 220)	220B0610	3