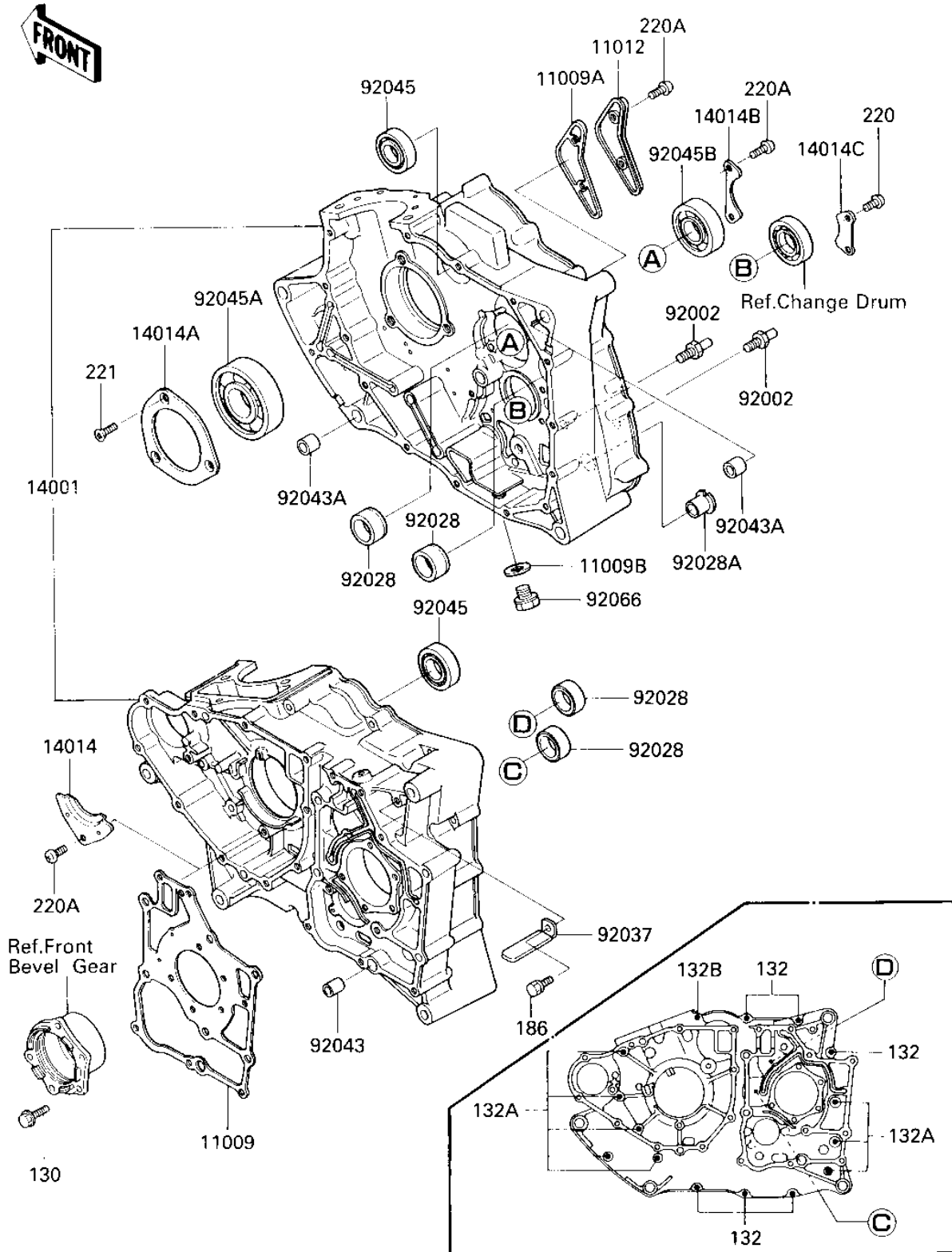


# 1987 Bayou 300 PARTS DIAGRAM

## CRANKCASE

E1411-0139



# 1987 Bayou 300 PARTS LIST

## CRANKCASE

ITEM NAME	PART NUMBER	QUANTITY
GASKET,GEAR CASE (Ref # 11009)	11060-1224	1
GASKET (Ref # 11009A)	11009-1517	1
GASKET,DRIN PLUG (Ref # 11009B)	92065-097	1
CAP (Ref # 11012)	11012-1443	1
SET-CRANKCASE (Ref # 14001)	14001-5210	1
PLATE,POSITIONING (Ref # 14014)	14014-035	1
PLATE,POSITIONING (Ref # 14014A)	14014-1004	1
PLATE-POSITION (Ref # 14014B)	14014-1069	1
PLATE-POSITION,CHANGE (Ref # 14014C)	14014-1070	1
BOLT,RETURN SPRING (Ref # 92002)	92002-1408	2
BUSHING (Ref # 92028)	92028-132	4
BUSHING (Ref # 92028A)	92028-1386	1
CLAMP,WIRING HARNESS (Ref # 92037)	92037-1069	1
PIN,DOWEL,12MM (Ref # 92043)	92042-031	1
PIN,DOWEL,14MM (Ref # 92043A)	92042-032	2
BEARING-BALL,6004TMB (Ref # 92045)	92045-1118	2
BEARING-BALL (Ref # 92045A)	92045-1172	1
BEARING-BALL,TMB304CC (Ref # 92045B)	92045-1142	1
PLUG,OIL DRAIN,12X15 (Ref # 92066)	92066-1174	1
BOLT-FLANGED,6X20 (Ref # 130)	130P0620	5
BOLT-FLANGED-SMALL (Ref # 132)	132Y0635	6
BOLT-FLANGED-SMALL (Ref # 132A)	132Y0665	8
BOLT-FLANGED-SMALL (Ref # 132B)	132Y0685	1
BOLT-UPSET-WP (Ref # 186)	186D0614	1
SCREW PAN HEAD 6X10 (Ref # 220)	220B0610	2
SCREW PAN HEAD 6X14 (Ref # 220A)	220B0614	5
SCREW CNTSNK HD 6X16 (Ref # 221)	221B0616	3