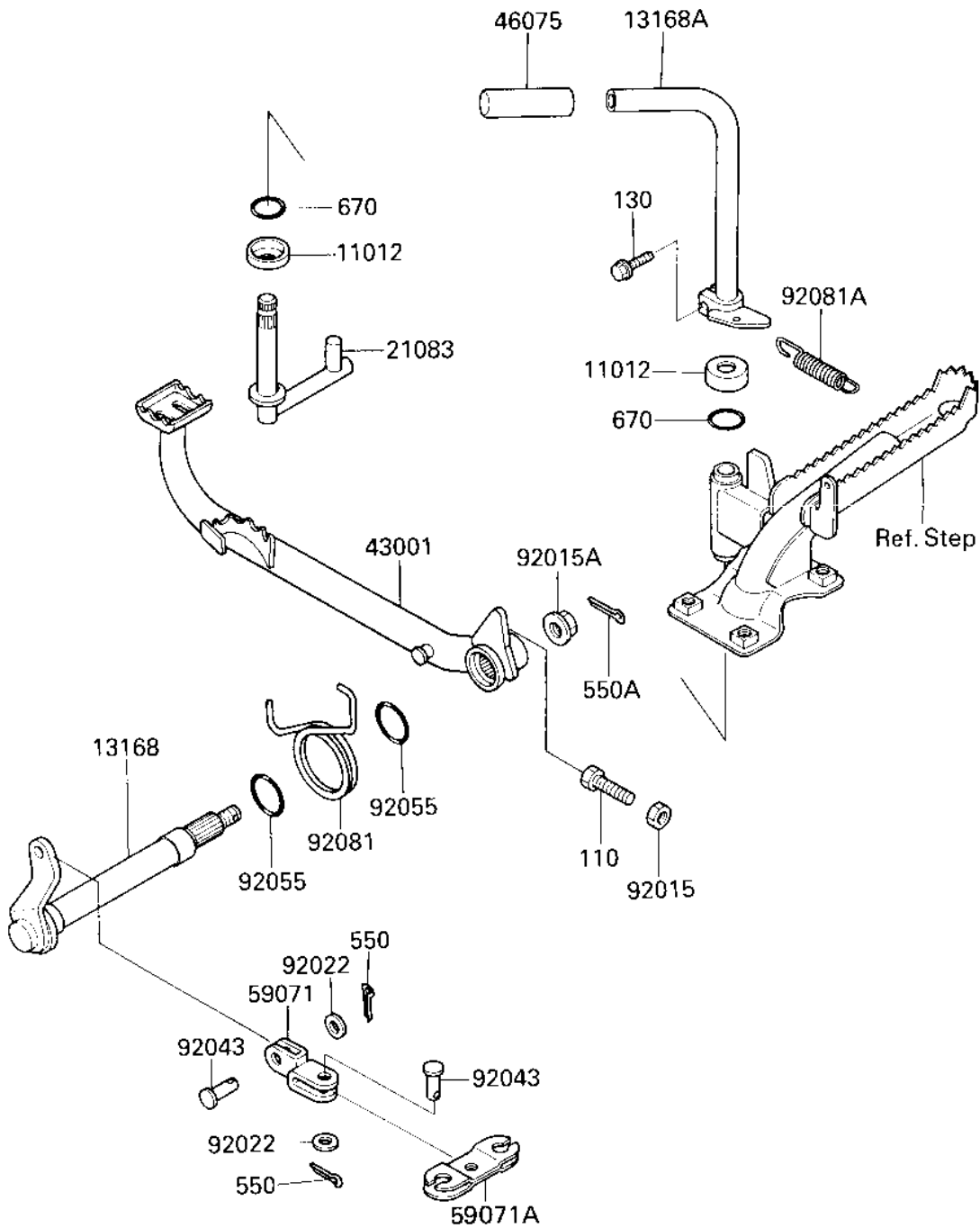


# 1987 Bayou 300 PARTS DIAGRAM

BRAKE PEDAL

F2560 11/58



# 1987 Bayou 300 PARTS LIST

## BRAKE PEDAL

ITEM NAME	PART NUMBER	QUANTITY
CAP (Ref # 11012)	11012-1482	2
LEVER,REAR BRAKE (Ref # 13168)	13168-1269	1
LEVER (Ref # 13168A)	13168-1282	1
ARM (Ref # 21083)	21083-1057	1
LEVER-BRAKE,PEDAL,RR (Ref # 43001)	43001-1187	1
GRIP (Ref # 46075)	46075-1062	1
JOINT (Ref # 59071)	59071-1105	1
JOINT (Ref # 59071A)	59071-1106	1
NUT,6MM (Ref # 92015)	92015-1410	1
NUT,10MM (Ref # 92015A)	92015-1415	1
WASHER PLAIN 8MM (Ref # 92022)	410B0800	2
PIN (Ref # 92043)	92043-1013	2
RING-O,23.8MM (Ref # 92055)	92055-1257	2
SPRING,BRAKE PEDAL RE (Ref # 92081)	92081-1887	1
SPRING (Ref # 92081A)	92081-1922	1
BOLT (Ref # 110)	110D0622	1
BOLT-FLANGED,6X20,BLA (Ref # 130)	130S0620	1
PIN COTTER 2.0X15 (Ref # 550)	550D2015	2
PIN,COTTER,2.5X18 (Ref # 550A)	550D2518	1
"O" RING,18MM (Ref # 670)	670B2018	2