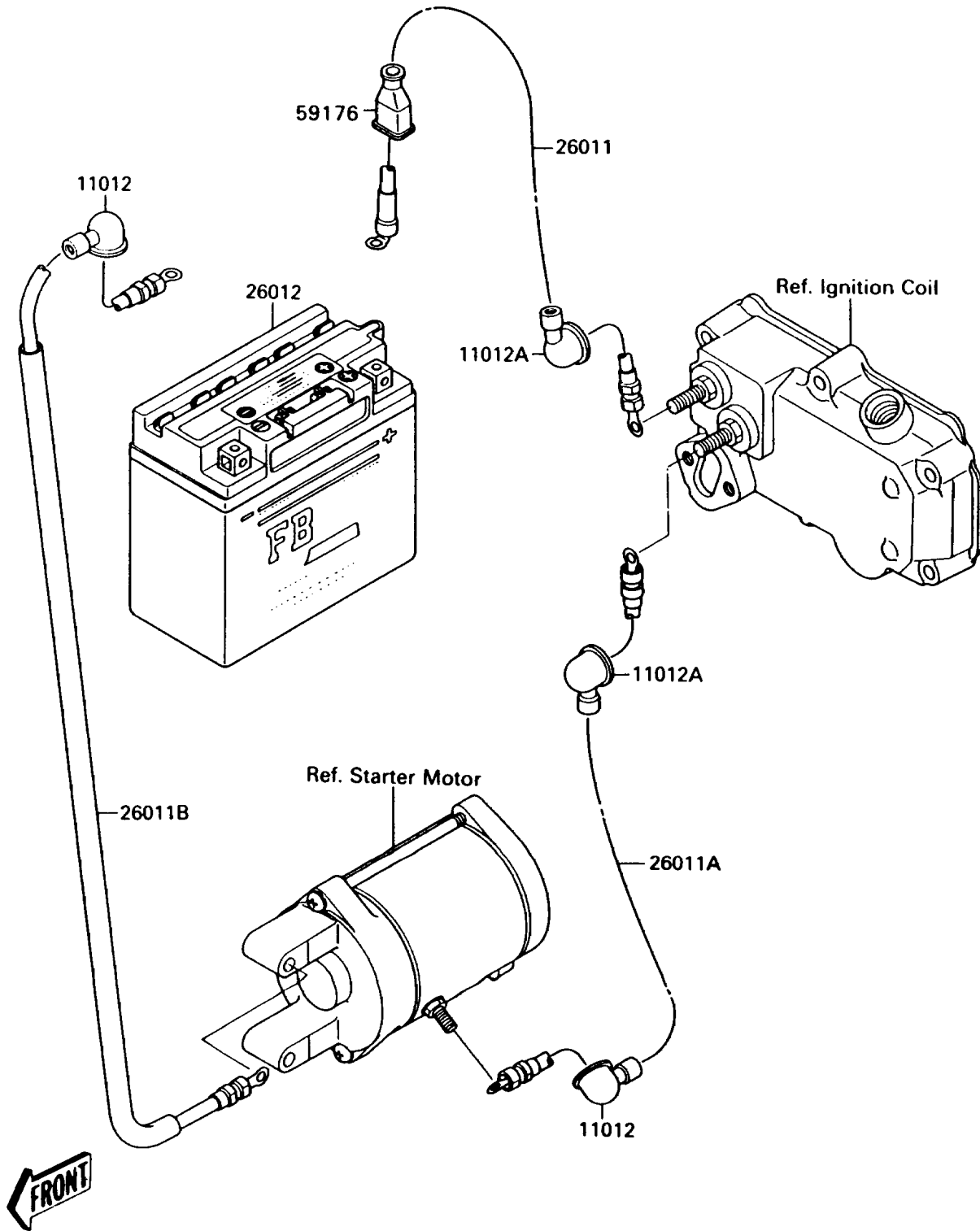


# 1988 300 SX PARTS DIAGRAM

Electrical Equipment

( F3181 )



# 1988 300 SX PARTS LIST

## Electrical Equipment

| ITEM NAME                               | PART NUMBER | QUANTITY |
|---|-------------|----------|
| CAP (Ref # 11012)                       | 11012-3004  | 2        |
| CAP,LEAD WIRE (Ref # 11012A)            | 11012-3726  | 2        |
| WIRE-LEAD,BATTERY(+) (Ref # 26011)      | 26011-3709  | 1        |
| WIRE-LEAD (Ref # 26011A)                | 26011-3713  | 1        |
| WIRE-LEAD,BATTERY(-) (Ref # 26011B)     | 26011-3720  | 1        |
| BATTERY,YB16CL-B,12V 19AH (Ref # 26012) | 26012-3707  | 1        |
| CAP.,TERMINAL (Ref # 59176)             | 59176-501   | 1        |