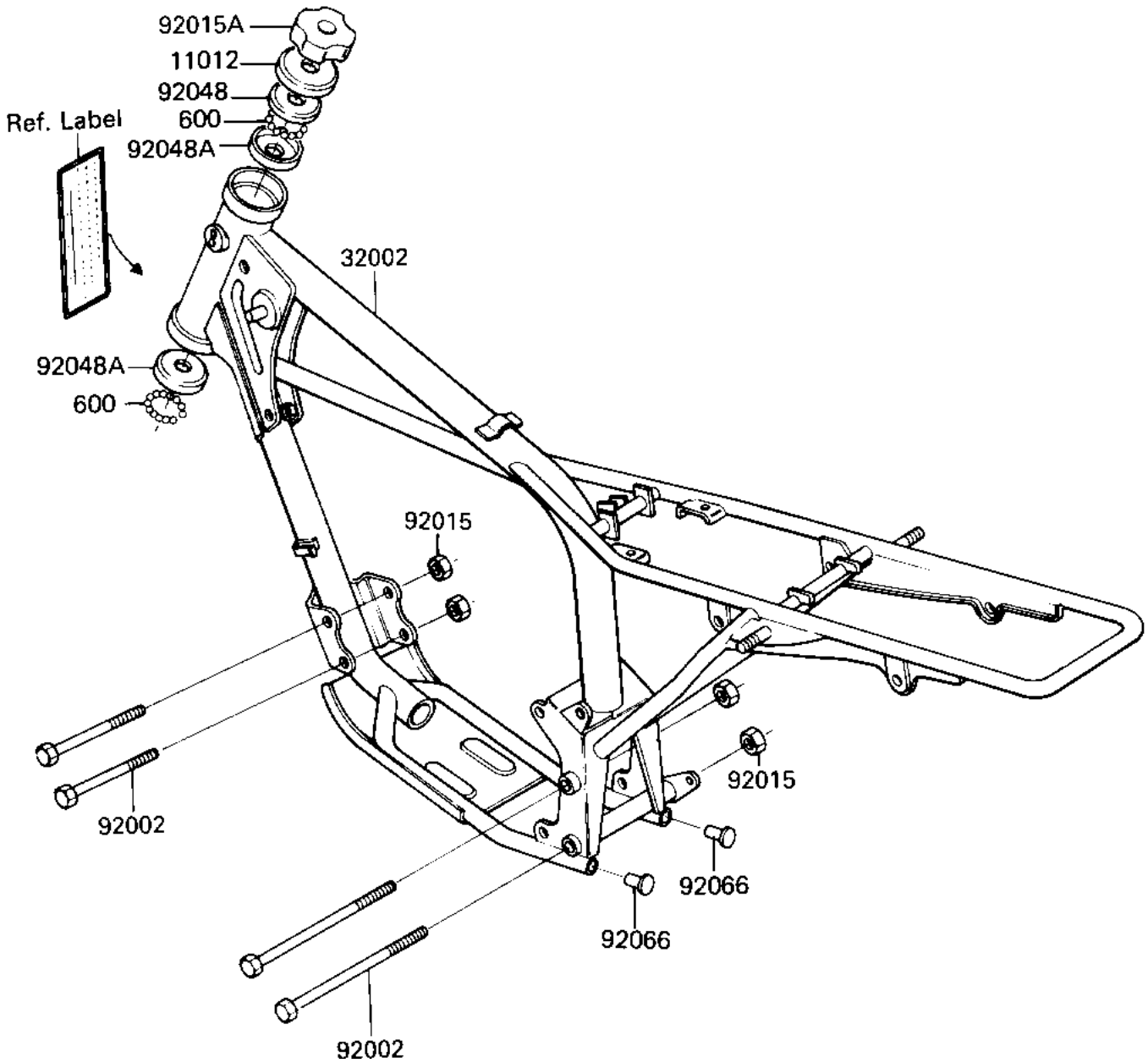


# 1987 KD80 PARTS DIAGRAM

## FRAME/FRAME FITTINGS

F2120-0237



# 1987 KD80 PARTS LIST

## FRAME/FRAME FITTINGS

ITEM NAME	PART NUMBER	QUANTITY
CAP STEERING STEM (Ref # 11012)	46098-004	1
FRAME-COMP (Ref # 32002)	32002-1707	1
BOLT,10X115 (Ref # 92002)	92002-1072	4
NUT,FLANGED,10MM,BLAC (Ref # 92015)	92015-1180	4
NUT,STEERING STEM LOC (Ref # 92015A)	92015-1382	1
CONE UPPER BEARING (Ref # 92048)	92047-005	1
RACE BEARING (Ref # 92048A)	92048-004	2
CAP PIPE END (Ref # 92066)	32112-001	2
BALL STEEL 3/16' (Ref # 600)	600A0600	46