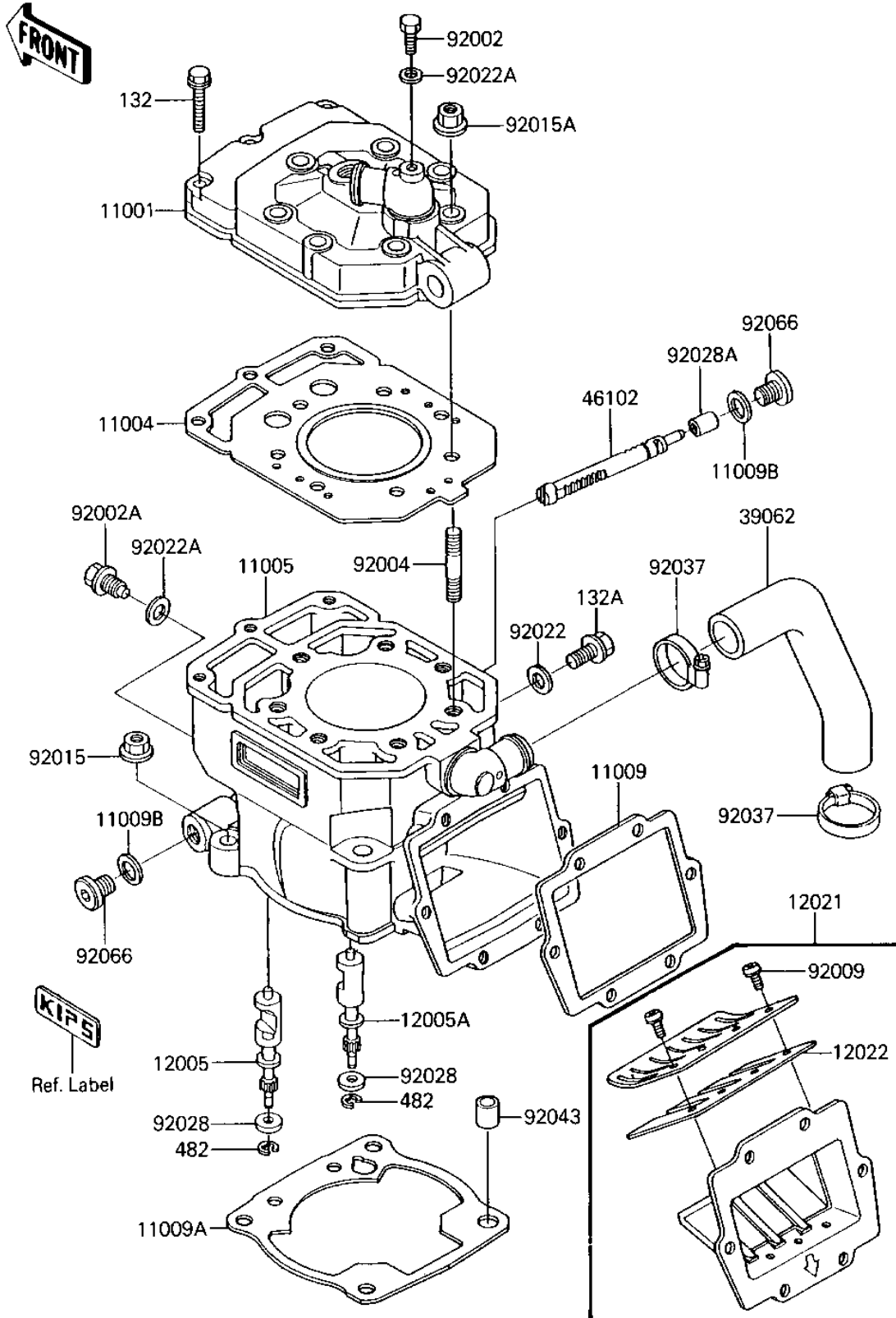


# 1987 Tecate PARTS DIAGRAM

CYLINDER HEAD/CYLINDER/REED



# 1987 Tecate PARTS LIST

## CYLINDER HEAD/CYLINDER/REED

ITEM NAME	PART NUMBER	QUANTITY
HEAD-CYLINDER (Ref # 11001)	11001-1216	1
GASKET-HEAD (Ref # 11004)	11004-1144	1
CYLINDER-ENGINE (Ref # 11005)	11005-1471	1
GASKET, REED VALVE (Ref # 11009)	11009-1950	1
GASKET, CYLINDER BASE (Ref # 11009A)	11009-1546	1
GASKET-DRAIN PLUG (Ref # 11009B)	92065-073	2
VALVE-EXHAUST, LH (Ref # 12005)	12005-1083	1
VALVE-EXHAUST, RH (Ref # 12005A)	12005-1084	1
VALVE-ASSY-REED (Ref # 12021)	12021-1058	1
VALVE-REED (Ref # 12022)	12022-1017	2
HOSE-COOLING (Ref # 39062)	39062-1105	1
ROD, GOVERNOR (Ref # 46102)	46102-1156	1
BOLT, 6X10 (Ref # 92002)	92002-1222	1
BOLT (Ref # 92002A)	92002-1357	2
STUD (Ref # 92004)	92004-1210	7
SCREW, REED VALVE (Ref # 92009)	92009-1014	8
NUT, 10MM (Ref # 92015)	92015-1415	4
NUT-8MM (Ref # 92015A)	92015-1143	7
WASHER, 8.2X14X1 (Ref # 92022)	92022-1488	1
WASHER, PLAIN (Ref # 92022A)	92022-304	3
BUSHING, 6X18X5 (Ref # 92028)	92028-1389	2
BUSHING, 5.6X10X14 (Ref # 92028A)	92028-1413	1
CLAMP, COOLING HOSE (Ref # 92037)	92037-1589	2
PIN, 11X14X12.3 (Ref # 92043)	92043-1266	1
PLUG, 12X10 (Ref # 92066)	92066-1222	2
BOLT-FLANGED-SMALL (Ref # 132)	132G0625	3
BOLT-FLANGED-SMALL (Ref # 132A)	132G0810	1
CIRCLIP-TYPE-E (Ref # 482)	482J5000	2