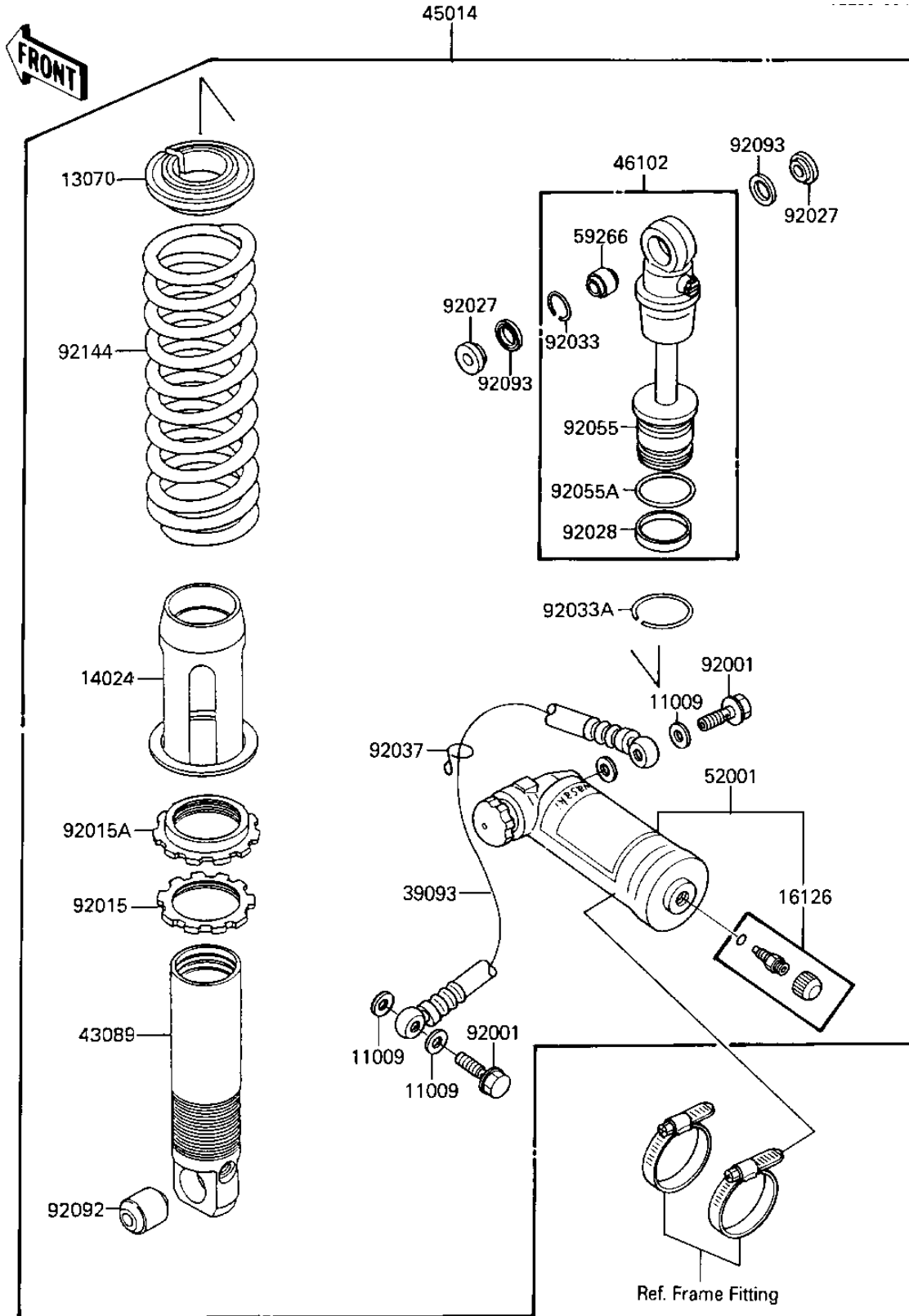


1987 Tecate PARTS DIAGRAM

SHOCK ABSORBER



1987 Tecate PARTS LIST

SHOCK ABSORBER

ITEM NAME	PART NUMBER	QUANTITY
GASKET,FORK CYLINDER (Ref # 11009)	44045-057	4
GUIDE,SPRING (Ref # 13070)	13070-1075	1
COVER (Ref # 14024)	14024-1145	1
VALVE,AIR (Ref # 16126)	16126-1118	1
PIPE-COMP-SUSP (Ref # 39093)	39093-1116	1
CYLINDER-SHOCKABSORBE (Ref # 43089)	43089-1109	1
SHOCKABSORBER (Ref # 45014)	45014-1364	1
ROD,SHOCKABSORBER (Ref # 46102)	46102-1208	1
TANK-OIL,SHOCKABSORBE (Ref # 52001)	52001-1072	1
JOINT-BALL,REAR SHOCK (Ref # 59266)	59266-1053	1
BOLT,PIPE-COMP-SUSP (Ref # 92001)	92001-1752	2
NUT,SPRING ADJUST LOC (Ref # 92015)	92015-1551	1
NUT (Ref # 92015A)	92015-1552	1
COLLAR,SHOCKABSORBER (Ref # 92027)	92027-1871	2
BUSHING,ROD (Ref # 92028)	92028-1288	1
RING-SNAP,REARSHOCK (Ref # 92033)	92033-1090	1
RING-SNAP (Ref # 92033A)	92033-1206	1
CLAMP (Ref # 92037)	92037-1847	1
RING-O,ROD (Ref # 92055)	92055-1181	1
RING-O,ROD (Ref # 92055A)	92055-1234	1
BUSHING-RUBBER,SHOCKA (Ref # 92092)	92092-1054	1
SEAL,REAR SHOCK (Ref # 92093)	92093-1183	2
SPRING,SHOCKABSORBER, (Ref # 92144)	92144-1125	1