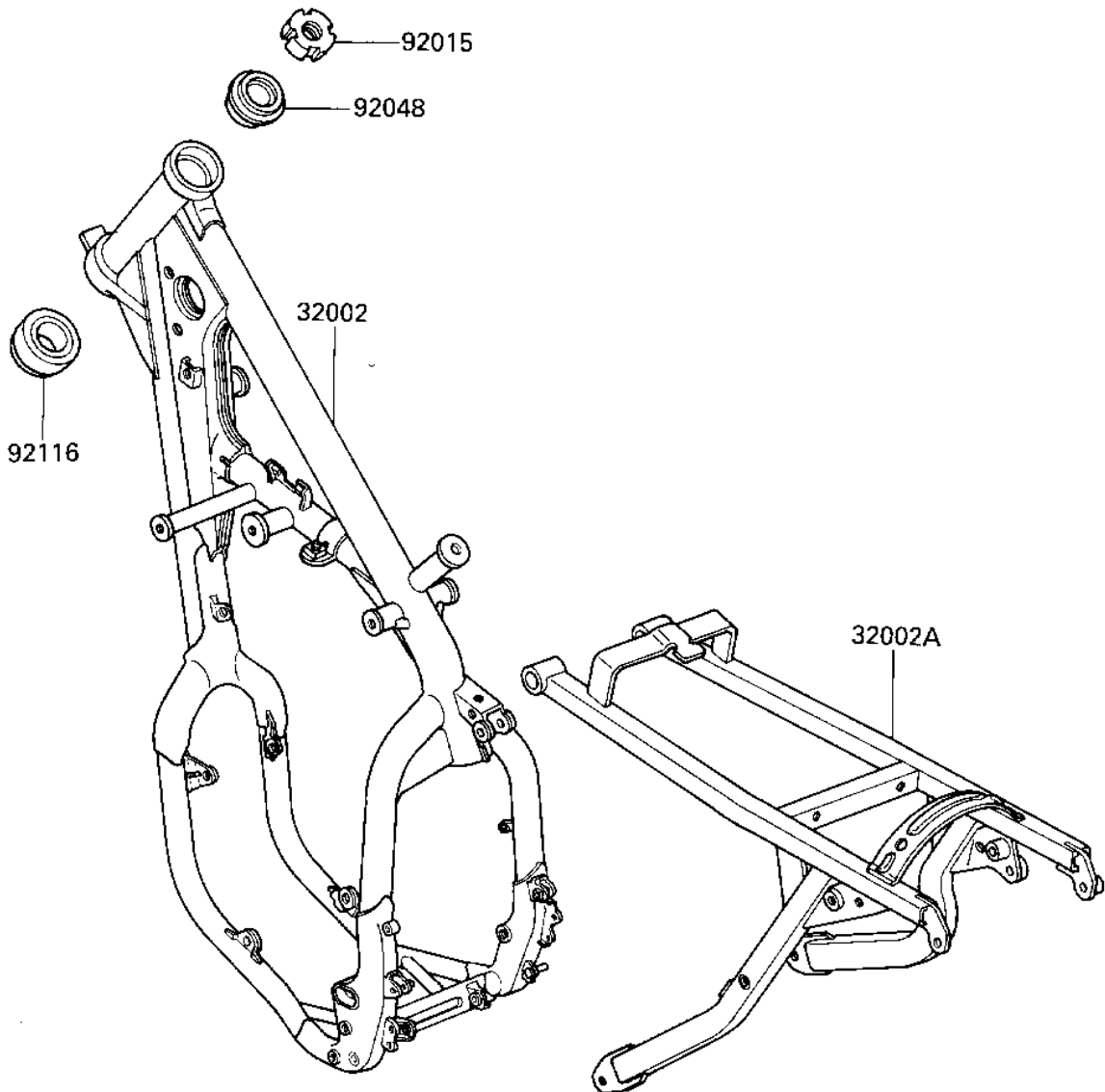


# 1987 KX125 PARTS DIAGRAM

FRAME

F2120-0302



# 1987 KX125 PARTS LIST

## FRAME

ITEM NAME	PART NUMBER	QUANTITY
FRAME-COMP,FR (Ref # 32002)	32002-1907	1
FRAME-COMP,RR (Ref # 32002A)	32002-1911	1
NUT,25MM,T=12 (Ref # 92015)	92015-1467	1
BEARING,STEERING STEM (Ref # 92048)	92047-017	1
BEARING,ROLLER,32006 (Ref # 92116)	92116-1008	1