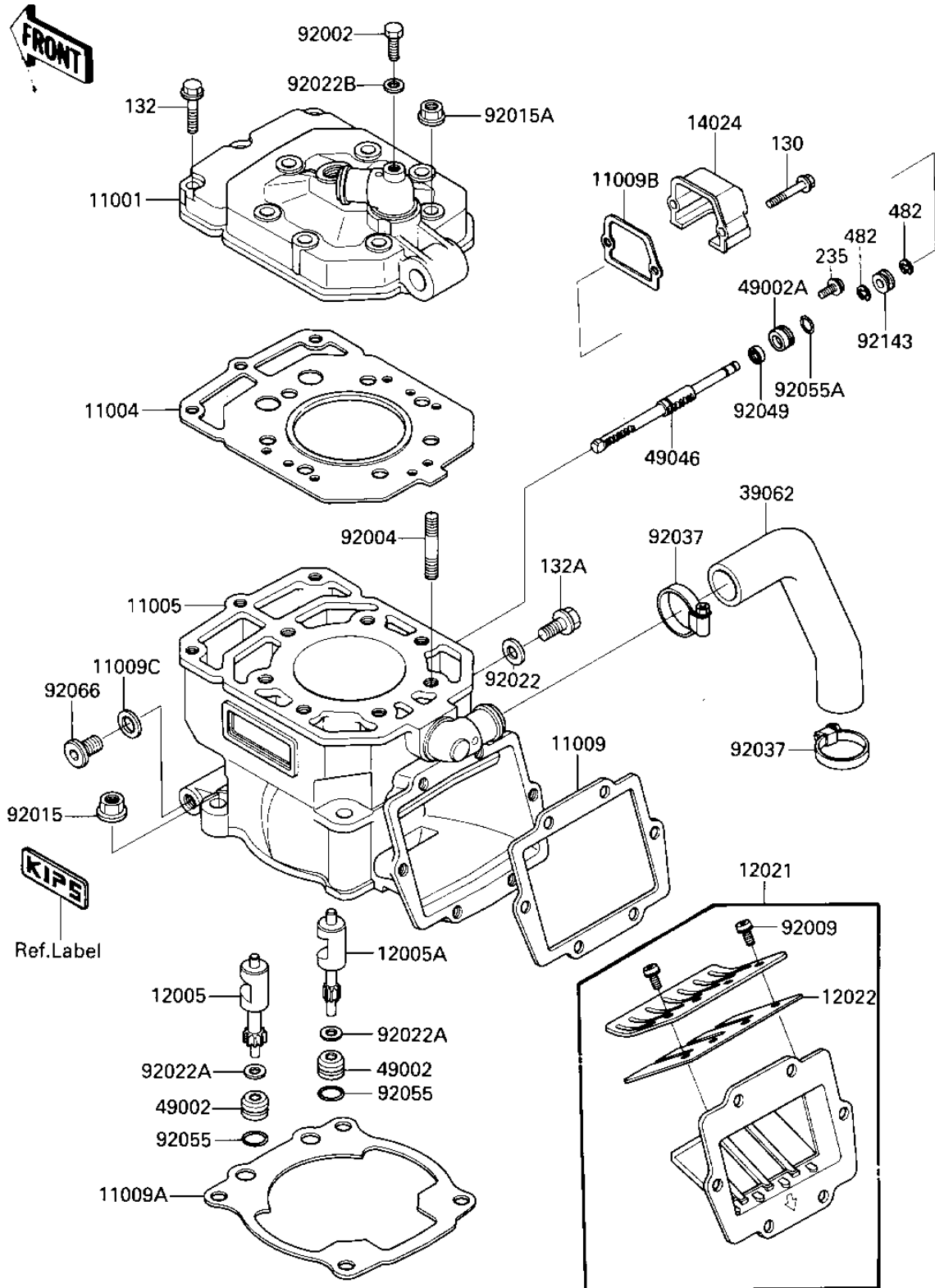


1987 KX250 PARTS DIAGRAM

CYLINDER HEAD/CYLINDER/REED VALVE

E1110-0037



1987 KX250 PARTS LIST

CYLINDER HEAD/CYLINDER/REED VALVE

ITEM NAME	PART NUMBER	QUANTITY
HEAD-CYLINDER (Ref # 11001)	11001-1245	1
GASKET-HEAD (Ref # 11004)	11004-1157	1
CYLINDER-ENGINE (Ref # 11005)	11005-1509	1
GASKET, REED VALVE (Ref # 11009)	11009-1950	1
GASKET, CYLINDER BASE (Ref # 11009A)	11009-1624	1
GASKET, GOVERNOR COVER (Ref # 11009B)	11009-1946	1
GASKET-DRAIN PLUG (Ref # 11009C)	92065-073	1
VALVE-EXHAUST, LH (Ref # 12005)	12005-1081	1
VALVE-EXHAUST, RH (Ref # 12005A)	12005-1092	1
VALVE-ASSY-REED (Ref # 12021)	12021-1065	1
VALVE-REED (Ref # 12022)	12022-1056	2
COVER, GOVERNOR (Ref # 14024)	14024-1359	1
HOSE-COOLING (Ref # 39062)	39062-1105	1
GUIDE-VALVE (Ref # 49002)	49002-1073	2
GUIDE-VALVE (Ref # 49002A)	49002-1074	1
ROD-GOVERNOR (Ref # 49046)	49046-1058	1
BOLT, 6X10 (Ref # 92002)	92002-1222	1
STUD (Ref # 92004)	92004-1210	7
SCREW, 3X6 (Ref # 92009)	92009-1371	8
NUT, 10MM (Ref # 92015)	92015-1415	4
NUT-8MM (Ref # 92015A)	92015-1143	7
WASHER, 8.2X14X1 (Ref # 92022)	92022-1488	1
WASHER (Ref # 92022A)	92022-1869	2
WASHER, PLAIN (Ref # 92022B)	92022-304	1
CLAMP, COOLING HOSE (Ref # 92037)	92037-1589	2
SEAL-OIL, RSO-5.5 11 4 (Ref # 92049)	92049-1206	1
"O" RING (Ref # 92055)	92055-022	2
"O" RING (Ref # 92055A)	92055-061	1
PLUG, 12X10 (Ref # 92066)	92066-1222	1

1987 KX250 PARTS LIST

CYLINDER HEAD/CYLINDER/REED VALVE

ITEM NAME	PART NUMBER	QUANTITY
COLLAR (Ref # 92143)	92143-1056	1
BOLT-FLANGED (Ref # 130)	130G0535	2
BOLT-FLANGED-SMALL (Ref # 132)	132G0625	3
BOLT-FLANGED-SMALL (Ref # 132A)	132G0810	1
SCREW-PAN-WP-CROS (Ref # 235)	235B0510	1
482K4000 (Canada) (Ref # 482)	482J4000	2