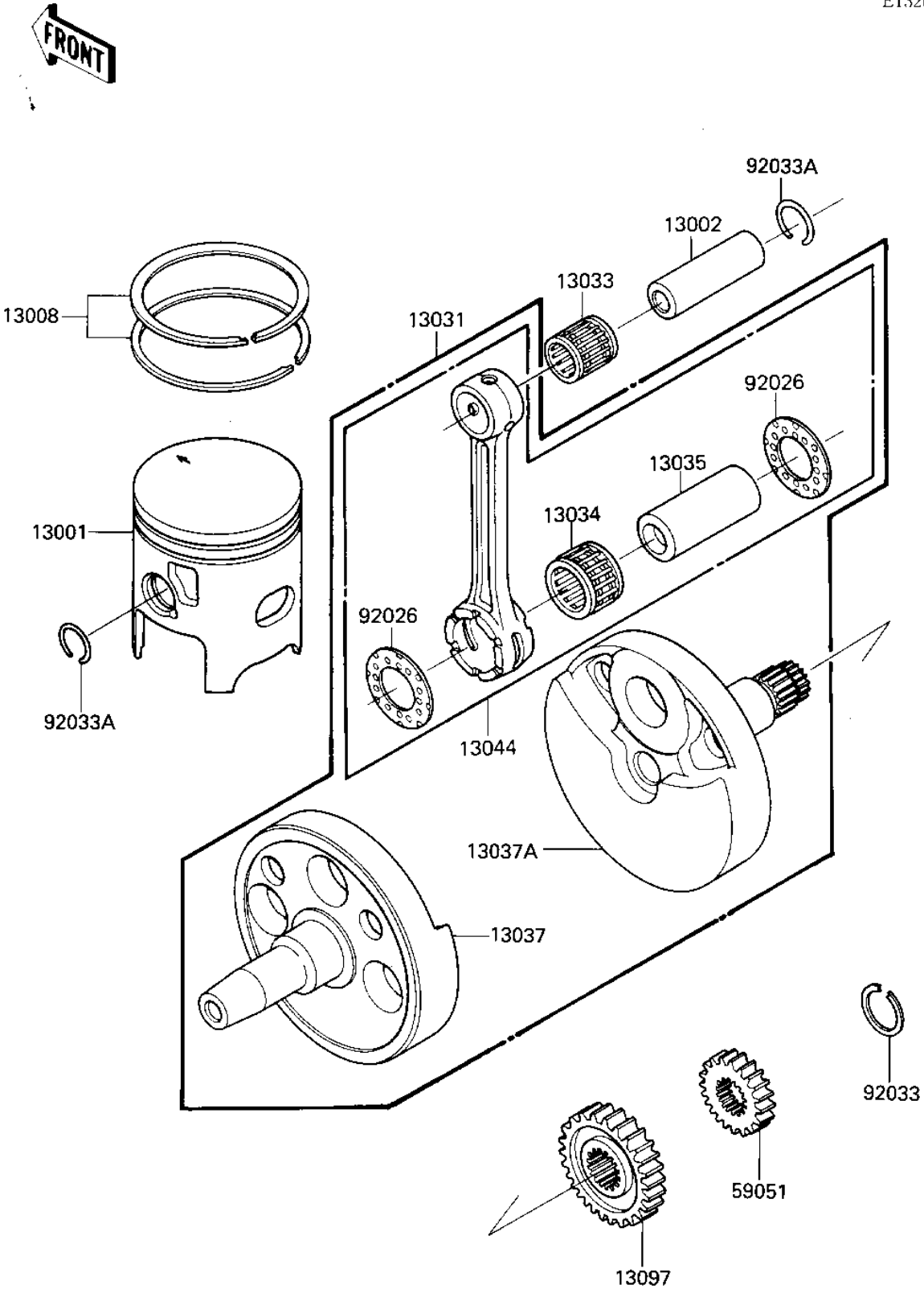


1987 KX250 PARTS DIAGRAM

CRANKSHAFT/PISTON

E1320-0042



1987 KX250 PARTS LIST

CRANKSHAFT/PISTON

ITEM NAME	PART NUMBER	QUANTITY
PISTON-ENGINE (Ref # 13001)	13001-1246	1
PIN-PISTON (Ref # 13002)	13002-1068	1
RING-SET-PISTON (Ref # 13008)	13008-1091	1
CRANKSHAFT-COMP (Ref # 13031)	13031-1232	1
BEARING-SMALL END (Ref # 13033)	13033-1010	1
BEARING-BIG END (Ref # 13034)	13034-1076	1
PIN,CRANK (Ref # 13035)	13035-034	1
CRANKSHAFT,LH (Ref # 13037)	13037-1292	1
CRANKSHAFT,RH (Ref # 13037A)	13037-1293	1
SET-CONNECTING ROD (Ref # 13044)	13044-5056	1
GEAR-PRIMARY SPUR,20T (Ref # 13097)	13097-1070	1
GEAR-SPUR,WATER PUMP, (Ref # 59051)	59051-1049	1
SPACER (Ref # 92026)	92026-1241	2
CIRCLIP,25MM (Ref # 92033)	92033-025	1
CIRCLIP-PISTON PIN (Ref # 92033A)	92036-015	2