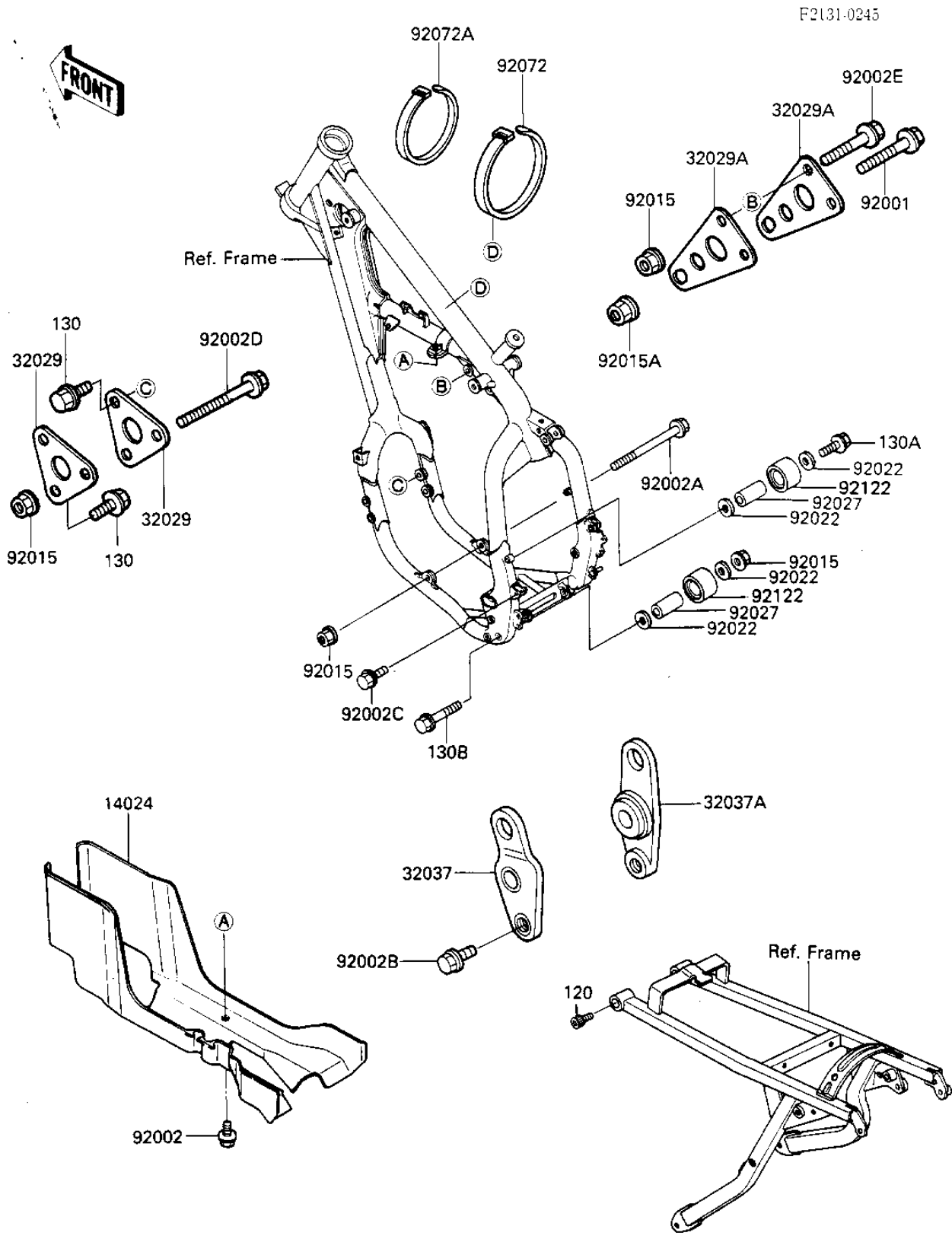


1987 KX250 PARTS DIAGRAM

FRAME FITTINGS



1987 KX250 PARTS LIST

FRAME FITTINGS

ITEM NAME	PART NUMBER	QUANTITY
COVER,AIR FILTER DUCT (Ref # 14024)	14024-1360	1
BRACKET-ENGINE (Ref # 32029)	32029-1507	2
BRACKET-ENGINE (Ref # 32029A)	32029-1508	2
BRACKET-SHOCKABSORBER (Ref # 32037)	32037-1420	1
BRACKET-SHOCKABSORBER (Ref # 32037A)	32037-1421	1
BOLT,10X50 (Ref # 92001)	92001-1584	1
BOLT,6X14 (Ref # 92002)	92150-1340	2
BOLT (Ref # 92002A)	92002-1543	1
92150-1357 (Canada) (Ref # 92002B)	92002-1845	2
BOLT,FLANGED,8X22 (Ref # 92002C)	92002-1846	2
BOLT,FLANGED,8X90 (Ref # 92002D)	92002-1849	1
BOLT,FLANGED,8X47 (Ref # 92002E)	92002-1850	2
NUT-8MM (Ref # 92015)	92015-1143	5
NUT,10MM (Ref # 92015A)	92015-1415	1
WASHER,8.5X22X1.5 (Ref # 92022)	92022-1629	4
COLLAR,CHAIN ROLLER (Ref # 92027)	92027-1670	2
BAND,LONG (Ref # 92072)	92072-032	1
BAND,L=185 (Ref # 92072A)	92072-1195	1
ROLLER,CHAIN GUIDE (Ref # 92122)	92122-1144	2
BOLT (Ref # 120)	120P0816	2
BOLT-FLANGED,8X25 (Ref # 130)	130G0825	4
BOLT (Ref # 130A)	130G0840	1
BOLT-FLANGED,8X70 (Ref # 130B)	130G0870	1