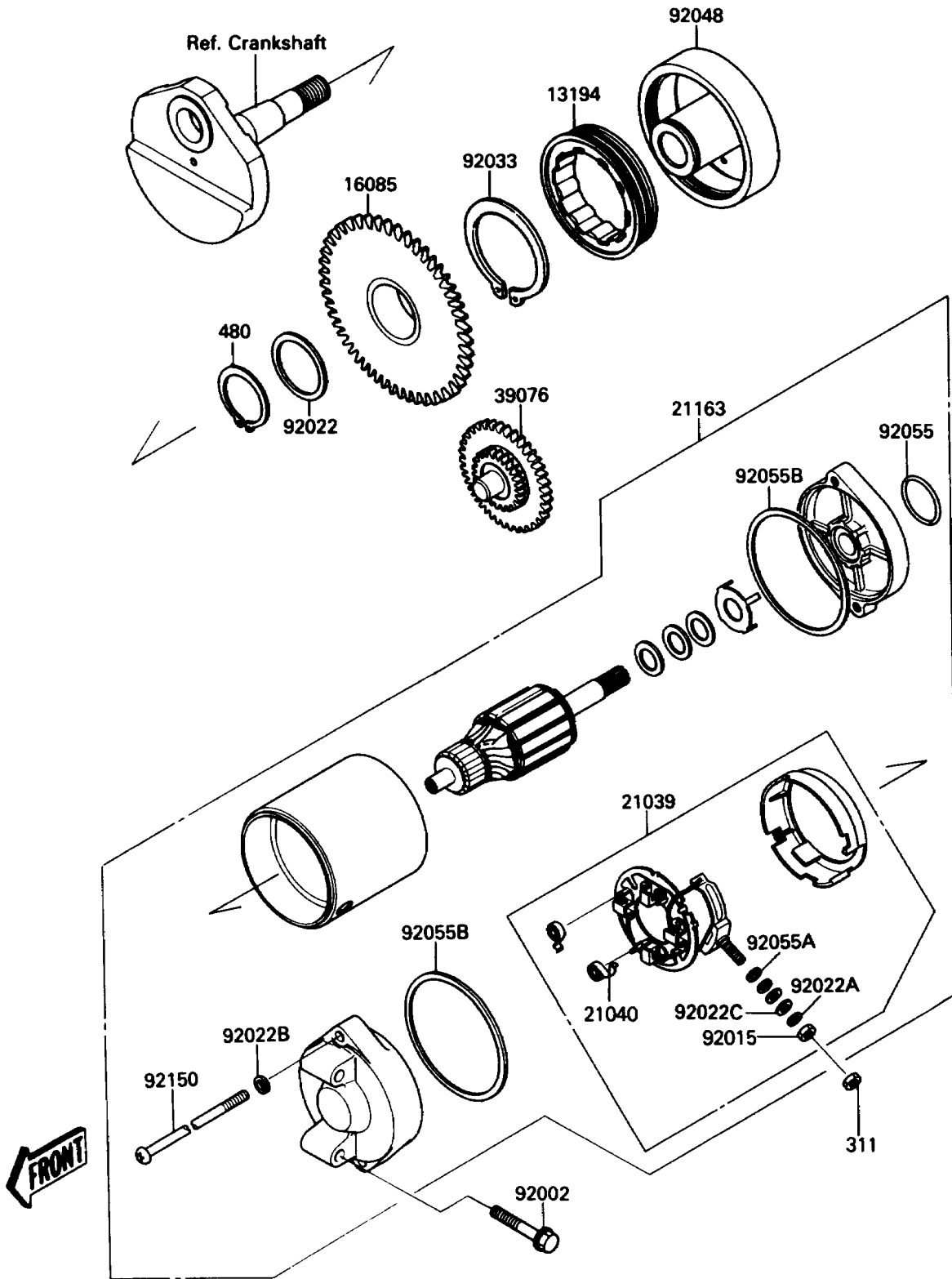


# 1988 JS300 PARTS DIAGRAM

Starter Motor

E1840-0092



# 1988 JS300 PARTS LIST

## Starter Motor

| ITEM NAME                           | PART NUMBER | QUANTITY |
|-------------------------------------|-------------|----------|
| CLUTCH-ONEWAY (Ref # 13194)         | 13194-3702  | 1        |
| GEAR,STARTER,59T (Ref # 16085)      | 16085-3701  | 1        |
| BRUSH,CARBON (Ref # 21039)          | 21039-3703  | 1        |
| SPRING-BRUSH (Ref # 21040)          | 21040-1055  | 4        |
| STARTER-ELECTRIC (Ref # 21163)      | 21163-3704  | 1        |
| LIMITER,STARTER IDLE (Ref # 39076)  | 39076-3701  | 1        |
| BOLT,6X35 (Ref # 92002)             | 92002-3715  | 2        |
| NUT,6MM (Ref # 92015)               | 92015-3710  | 1        |
| WASHER,36.3X46X2 (Ref # 92022)      | 92022-1102  | 1        |
| WASHER,6MM (Ref # 92022A)           | 92022-3711  | 1        |
| WASHER,SPRING,5MM (Ref # 92022B)    | 92022-3712  | 2        |
| WASHER,6MM (Ref # 92022C)           | 92022-3713  | 1        |
| RING-SNAP (Ref # 92033)             | 92033-3706  | 1        |
| RACE,CLUTCH (Ref # 92048)           | 92048-3705  | 1        |
| RING-O (Ref # 92055)                | 92055-1276  | 1        |
| RING-O,4.5X2.0 (Ref # 92055A)       | 92055-1370  | 1        |
| RING-O,STARTER MOTOR (Ref # 92055B) | 92055-1381  | 2        |
| BOLT,STARTER MOTOR (Ref # 92150)    | 92150-3716  | 2        |
| NUT-HEX,6MM (Ref # 311)             | 311R0600    | 1        |
| CIRCLIP-TYPE-C,36MM (Ref # 480)     | 480J3600    | 1        |