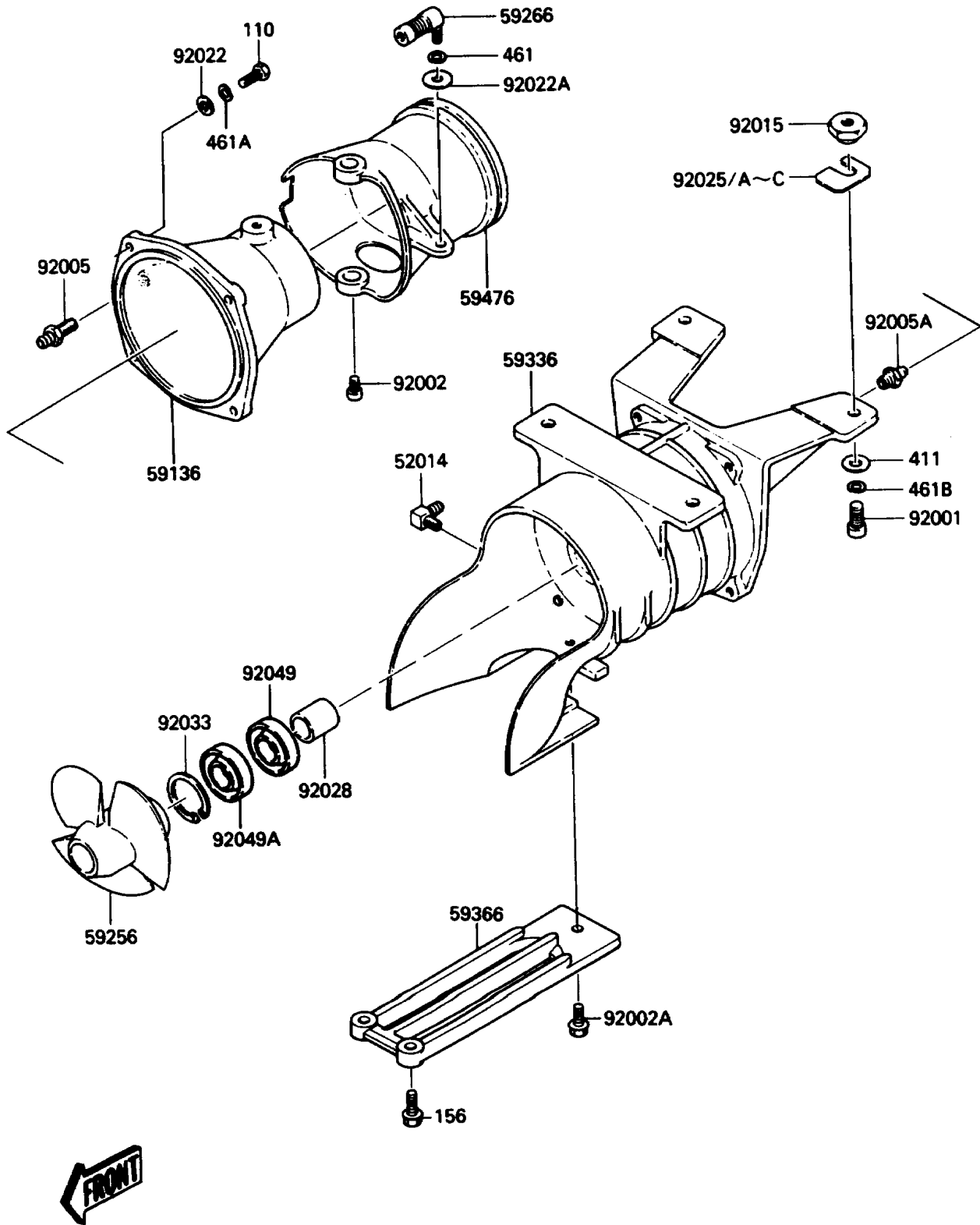


# 1988 JS300 PARTS DIAGRAM

Jet Pump

E3191-0001



# 1988 JS300 PARTS LIST

## Jet Pump

ITEM NAME	PART NUMBER	QUANTITY
ELBOW (Ref # 52014)	52014-3002	1
NOZZLE-PUMP (Ref # 59136)	59136-3001	1
IMPELLER (Ref # 59256)	59256-504	1
JOINT-BALL (Ref # 59266)	59266-3701	1
CASE-PUMP (Ref # 59336)	59336-3701	1
GRATE (Ref # 59366)	59366-3001	1
NOZZLE-STRG (Ref # 59476)	59476-3702	1
BOLT,10X25 (Ref # 92001)	92003-529	4
BOLT,SOCKET,6X11 (Ref # 92002)	92001-3701	2
BOLT,6X16 (Ref # 92002A)	92002-3728	1
FITTING,HOSE (Ref # 92005)	92005-3001	1
FITTING,GREASE (Ref # 92005A)	92005-501	1
NUT,10MM (Ref # 92015)	92015-3005	4
WASHER (Ref # 92022)	92022-562	4
WASHER (Ref # 92022A)	92022-567	1
SHIM,T=0.3MM (Ref # 92025)	92025-3701	AR
SHIM,T=0.5MM (Ref # 92025A)	92025-3702	AR
SHIM,T=1.0MM (Ref # 92025B)	92025-3703	AR
SHIM,T=1.5MM (Ref # 92025C)	92025-3704	AR
BUSHING (Ref # 92028)	92028-503	1
RING-SNAP (Ref # 92033)	92036-502	1
SEAL-OIL,SCY20368 (Ref # 92049)	92050-502	1
SEAL-OIL,SC20367 (Ref # 92049A)	92050-503	1
BOLT,8X25 (Ref # 110)	110R0825	4
BOLT-WP,6X25 (Ref # 156)	156R0625	2
WASHER-PLAIN,10MM (Ref # 411)	411S1000	4
WASHER-SPRING,6MM (Ref # 461)	461S0600	1
WASHER-SPRING,8MM (Ref # 461A)	461S0800	4
WASHER-SPRING,10MM (Ref # 461B)	461S1000	4