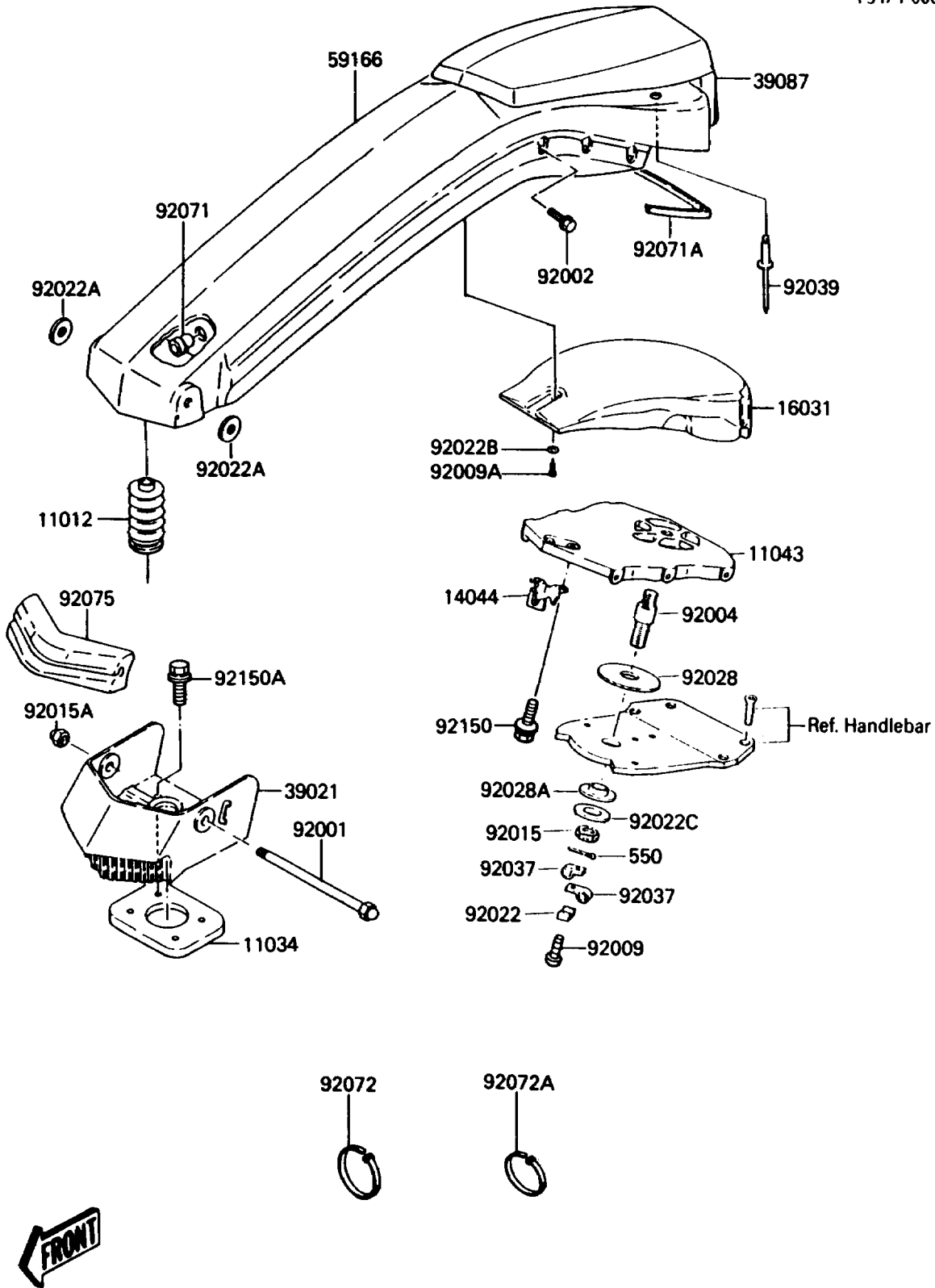


1988 JS300 PARTS DIAGRAM

Handle Pole

F3171-0001



1988 JS300 PARTS LIST

Handle Pole

ITEM NAME	PART NUMBER	QUANTITY
CAP. (Ref # 11012)	59176-514	1
BRACKET,PLATE,HANDLE (Ref # 11034)	59086-538	1
BRACKET,SUPPORT (Ref # 11043)	11034-3010	1
HOLDER-CABLE (Ref # 14044)	14044-3001	1
FLOAT (Ref # 16031)	16031-506	1
BRACKET-HANDLE POLE,JET WHITE (Ref # 39021)	39021-3701-8C	1
PAD-HANDLE,POLE (Ref # 39087)	39087-3701	1
POLE-HANDLE,JET WHITE (Ref # 59166)	59166-3002-8C	1
BOLT,14X183 (Ref # 92001)	92001-3018	1
BOLT,6X16 (Ref # 92002)	92002-3728	6
STUD (Ref # 92004)	92004-3701	1
SCREW,5X16 (Ref # 92009)	92009-3736	1
SCREW (Ref # 92009A)	92011-562	3
NUT,CASTLE,18MM (Ref # 92015)	92015-3006	1
NUT,14MM (Ref # 92015A)	92015-507	1
WASHER,CLAMP (Ref # 92022)	92022-3014	1
WASHER,15X36X4.5 (Ref # 92022A)	92022-3024	2
WASHER (Ref # 92022B)	92022-563	3
WASHER (Ref # 92022C)	92022-571	1
BUSHING (Ref # 92028)	92028-512	1
BUSHING (Ref # 92028A)	92028-513	1
CLAMP,LEAD WIRE (Ref # 92037)	92037-3007	2
RIVET (Ref # 92039)	92039-3712	6
GROMMET (Ref # 92071)	92071-530	1
GROMMET (Ref # 92071A)	92071-534	1
BAND,L=123 (Ref # 92072)	92072-030	1
BAND,L=149 (Ref # 92072A)	92072-031	1
DAMPER (Ref # 92075)	92075-519	1
BOLT,6X12 (Ref # 92150)	92150-3709	2

1988 JS300 PARTS LIST

Handle Pole

ITEM NAME	PART NUMBER	QUANTITY
BOLT,8X30 (Ref # 92150A)	92150-3712	4
PIN-COTTER,4X40 (Ref # 550)	550S4040	1