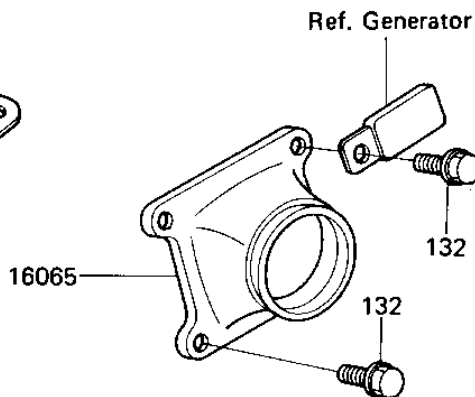
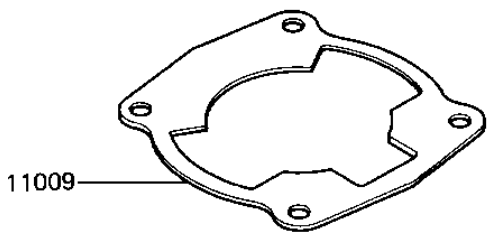
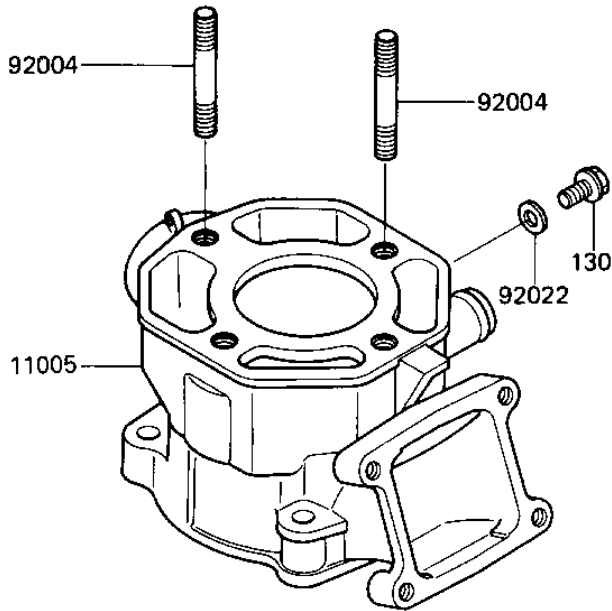
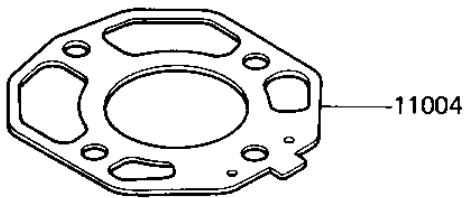
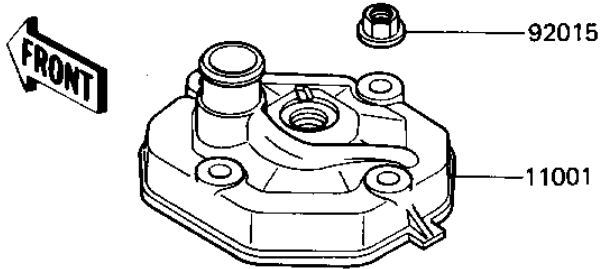


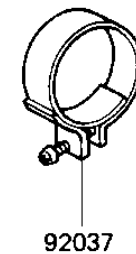
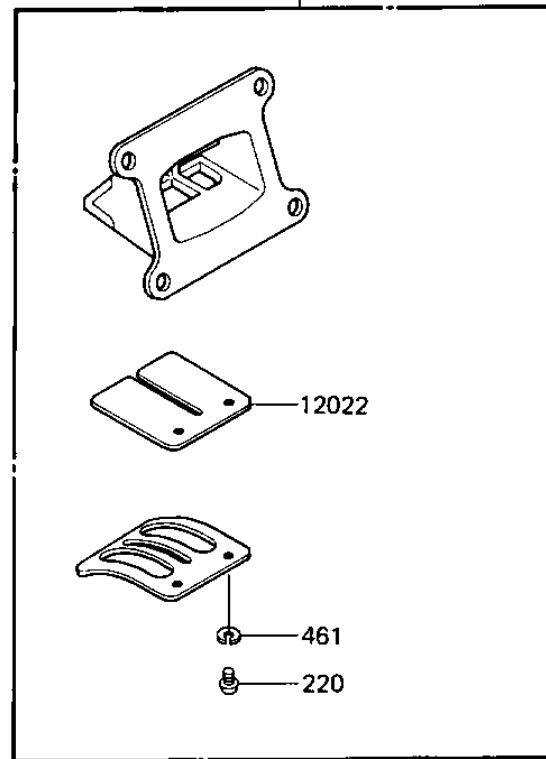
1987 Big Wheel PARTS DIAGRAM

CYLINDER HEAD/CYLINDER/REED VALVE

E1110-0022



12021



1
1
1
1
1
1
9
9
9
9

1987 Big Wheel PARTS LIST

CYLINDER HEAD/CYLINDER/REED VALVE

ITEM NAME	PART NUMBER	QUANTITY
HEAD-CYLINDER (Ref # 11001)	11001-1210	1
GASKET-HEAD (Ref # 11004)	11004-1138	1
CYLINDER-ENGINE (Ref # 11005)	11005-1506	1
GASKET,CYLINDER BASE (Ref # 11009)	11009-1970	1
VALVE-ASSY-REED (Ref # 12021)	12021-1060	1
VALVE-REED (Ref # 12022)	12022-1055	2
HOLDER-CARBURETOR (Ref # 16065)	16065-1160	1
STUD,8X35 (Ref # 92004)	92004-1009	4
NUT-8MM (Ref # 92015)	92015-1143	4
WASHER OIL PUMP BANJO (Ref # 92022)	92022-077	1
CLAMP (Ref # 92037)	92037-1172	1
BOLT-FLANGED (Ref # 130)	130C0608	1
BOLT-FLANGED-SMALL (Ref # 132)	132G0620	4
SCREW PAN HEAD 3X8 (Ref # 220)	220B0308	4
WASHER SPRING 3MM (Ref # 461)	461F0300	4