

1987 Big Wheel PARTS DIAGRAM

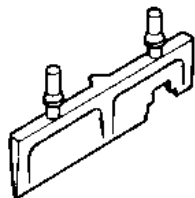
SEAT

F2510-0298

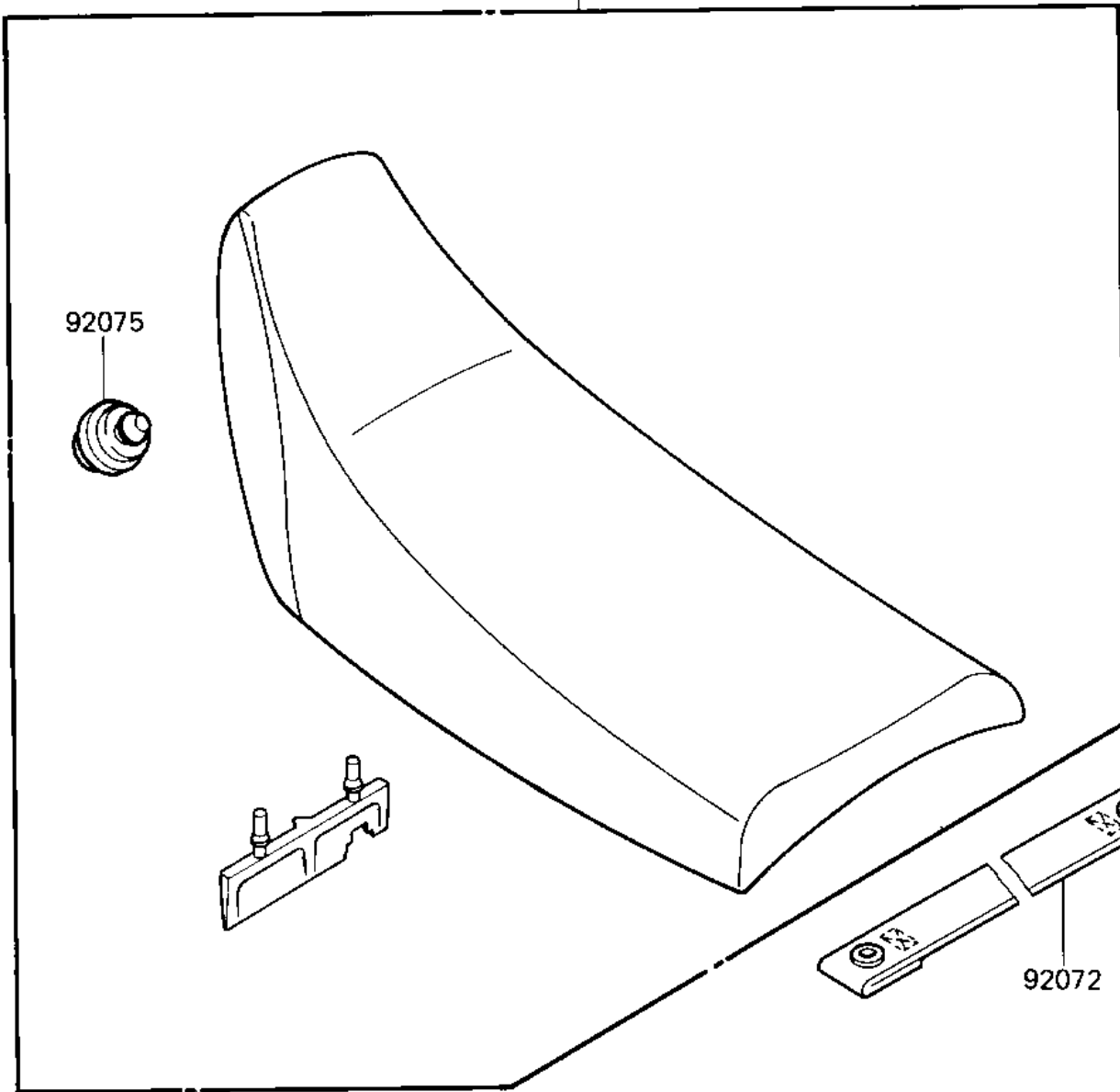
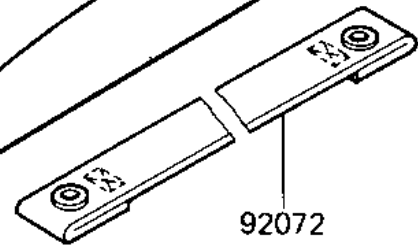


53001

92075



92072



1987 Big Wheel PARTS LIST

SEAT

ITEM NAME	PART NUMBER	QUANTITY
SEAT-ASSY (Ref # 53001)	53001-1493	1
BAND,SEAT (Ref # 92072)	92072-1184	1
DAMPER,SEAT (Ref # 92075)	92075-1800	1