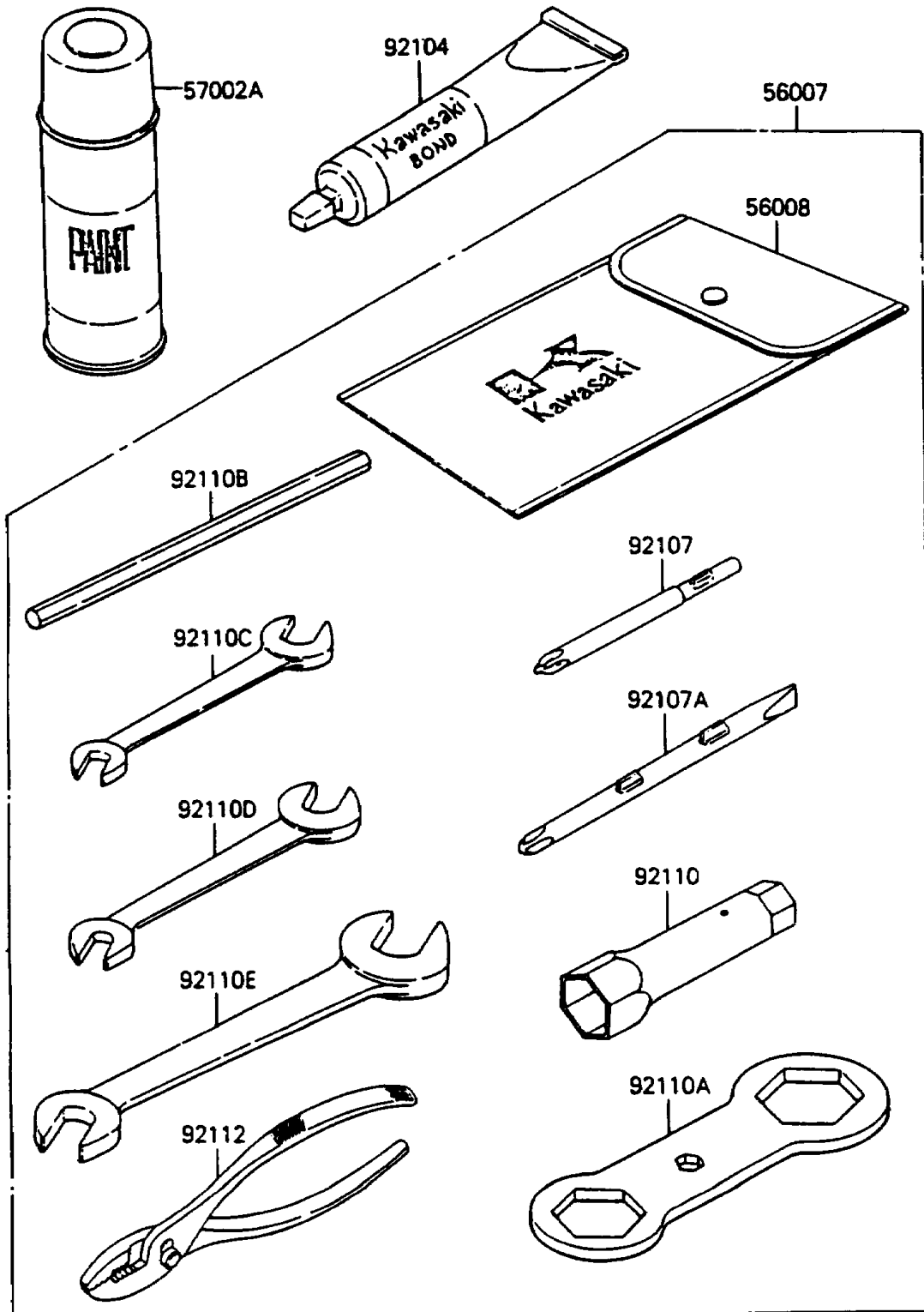


1988 JS300 PARTS DIAGRAM

Owner's Tools

F2810-0219



1988 JS300 PARTS LIST

Owner's Tools

ITEM NAME	PART NUMBER	QUANTITY
TOOLKIT (Ref # 56007)	56007-3702	1
BAG,TOOL (Ref # 56008)	56008-1019	1
PAINT,OPTIC RED,12OZ.SPRAY CAN (Ref # 57002A)	57002-4002	AR
GASKET-LIQUID,TUBE,100G,SILVER (Ref # 92104)	92104-002	AR
TOOL-DRIVER,#3PHILLIPS (Ref # 92107)	92107-005	1
TOOL-DRIVER,#2PHILLIPS&SLOT (Ref # 92107A)	92107-1051	1
TOOL-WRENCH,BOX,21MM (Ref # 92110)	92110-1113	1
TOOL-WRENCH,BOX END,27X32 (Ref # 92110A)	92110-3701	1
TOOL-WRENCH,ALLEN BAR,8X160 (Ref # 92110B)	92110-3702	1
TOOL-WRENCH,OPEN END,8X10 (Ref # 92110C)	92126-001	1
TOOL-WRENCH,OPEN END,12X13 (Ref # 92110D)	92126-002	1
TOOL-WRENCH,OPEN END,14X17 (Ref # 92110E)	92126-003	1
TOOL-PLIERS (Ref # 92112)	92112-003	1