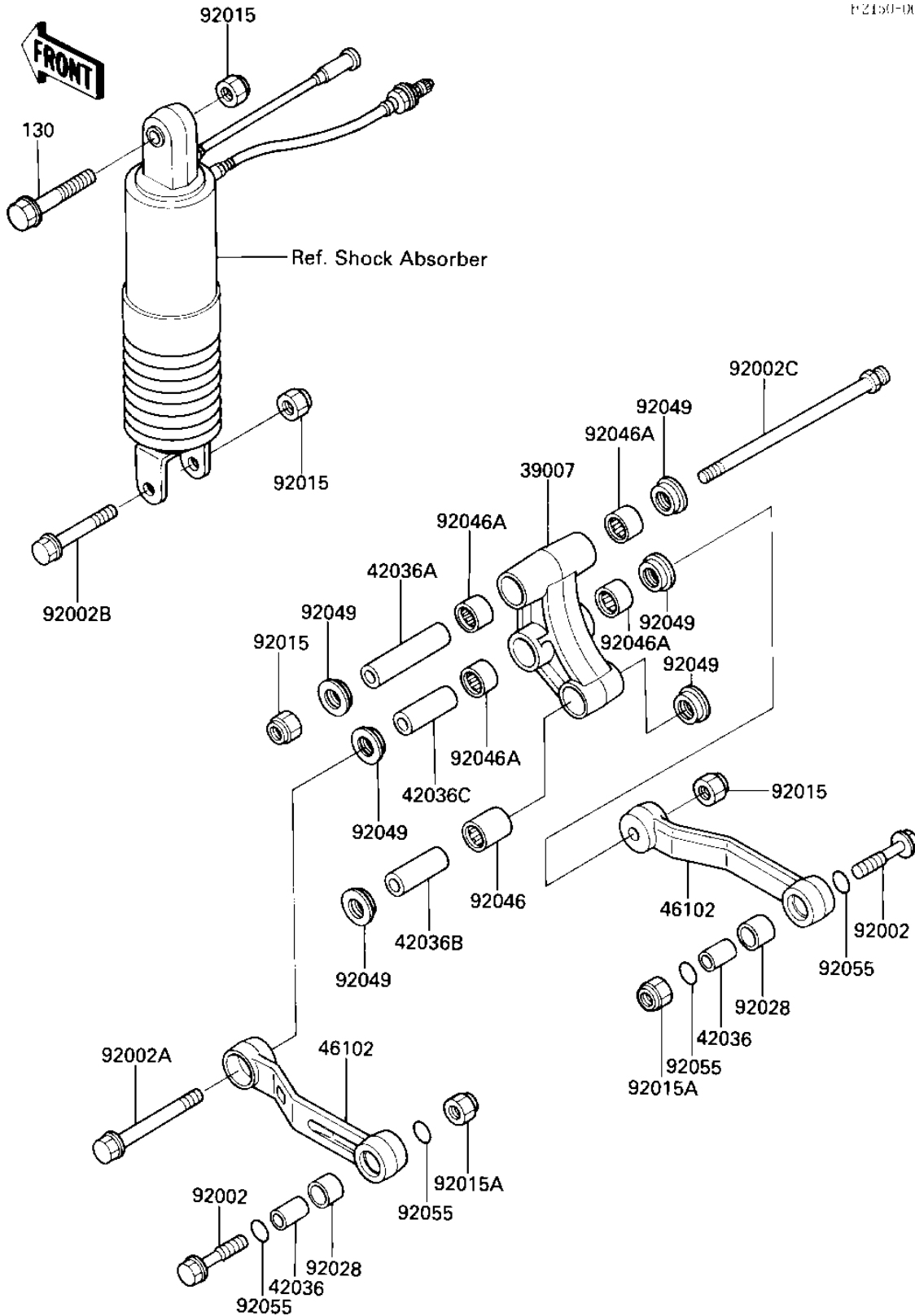


1987 Ninja® 600 PARTS DIAGRAM

REAR SUSPENSION

M2150-0060



R	N
3	
4	
4	
4	
4	
4	
9	
9	
9	
9	
9	
9	
9	
9	
9	
9	
9	

1987 Ninja® 600 PARTS LIST

REAR SUSPENSION

ITEM NAME	PART NUMBER	QUANTITY
ARM-SUSP,UNI TRAK (Ref # 39007)	39007-1127	1
SLEEVE,TIE ROD,UPP (Ref # 42036)	42036-1076	2
SLEEVE,12.1X20X74 (Ref # 42036A)	42036-1102	1
SLEEVE,12.5X20X39 (Ref # 42036B)	42036-1108	1
SLEEVE,12.5X20X50 (Ref # 42036C)	42036-1111	1
ROD,UNI TRAK (Ref # 46102)	46102-1140	2
BOLT,12X45 (Ref # 92002)	92001-1939	2
BOLT,FLANGED,12X85 (Ref # 92002A)	92002-1463	1
BOLT,FLANGED,12X60 (Ref # 92002B)	92002-1464	1
BOLT,SUSPENSION ARM (Ref # 92002C)	92002-1490	1
NUT,LOCK,12MM,BLACK (Ref # 92015)	92015-1190	4
NUT,12MM (Ref # 92015A)	92015-1375	2
BUSHING (Ref # 92028)	92028-1599	2
BEARING-NEEDLE,BM2027 (Ref # 92046)	92046-1110	1
BEARING-NEEDLE,BM2027 (Ref # 92046A)	92046-1112	1
SEAL-OIL,ARM,CNT (Ref # 92049)	92049-1109	6
RING-0,19.8X2.2 (Ref # 92055)	92055-1215	4
BOLT-FLANGED (Ref # 130)	130G1250	1