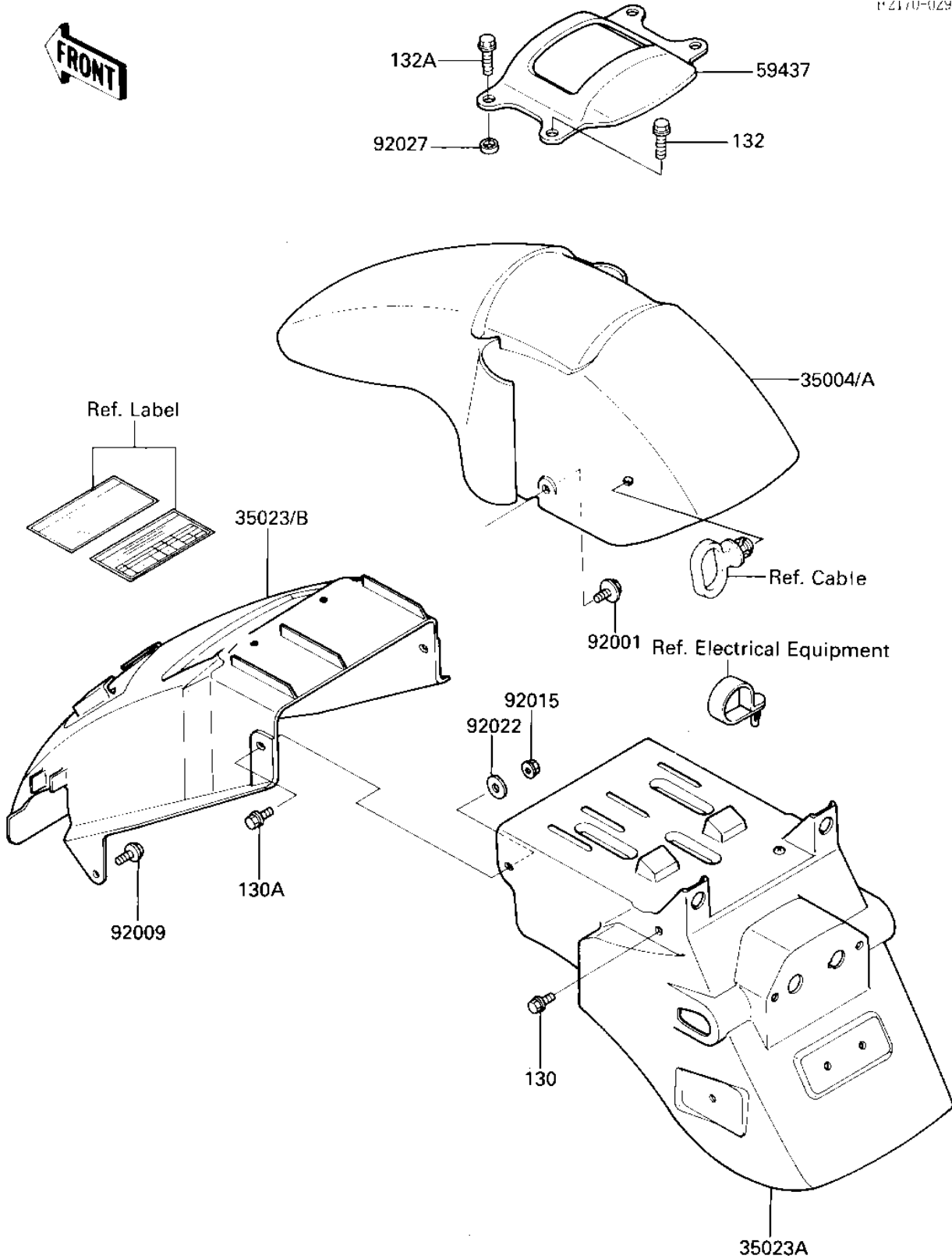


# 1987 Ninja® 600 PARTS DIAGRAM

## FENDERS

12170-0299



R	N
3	3
3	3
3	3
3	3
3	3
5	9
9	9
9	9
9	9
9	9

# 1987 Ninja® 600 PARTS LIST

## FENDERS

ITEM NAME	PART NUMBER	QUANTITY
FENDER-FRONT,F.RED (Ref # 35004)	35004-1170-B1	1
FENDER-FRONT,P.A.WHIT (Ref # 35004A)	35004-1170-R1	1
FENDER-REAR,FR (Ref # 35023)	35023-1129	1
FENDER-REAR,RR,BLACK (Ref # 35023A)	35023-1130-6Z	1
FENDER-REAR,FR (Ref # 35023B)	35023-1136	1
STABILIZER (Ref # 59437)	59437-1053	1
BOLT,W/SP,6X16 (Ref # 92001)	92001-1763	2
SCREW,6X14 (Ref # 92009)	92009-1288	2
NUT,FLANGED,6MM (Ref # 92015)	92015-1367	2
WASHER 6.5X20X1.6T (Ref # 92022)	92022-125	2
COLLAR,9.5X12.7X4.5 (Ref # 92027)	92027-1879	2
BOLT-FLANGED (Ref # 130)	130D0616	2
BOLT-FLANGED (Ref # 130A)	130D0620	2
BOLT-FLANGED-SMALL (Ref # 132)	132G0820	2
BOLT-FLANGED-SMALL (Ref # 132A)	132G0825	2