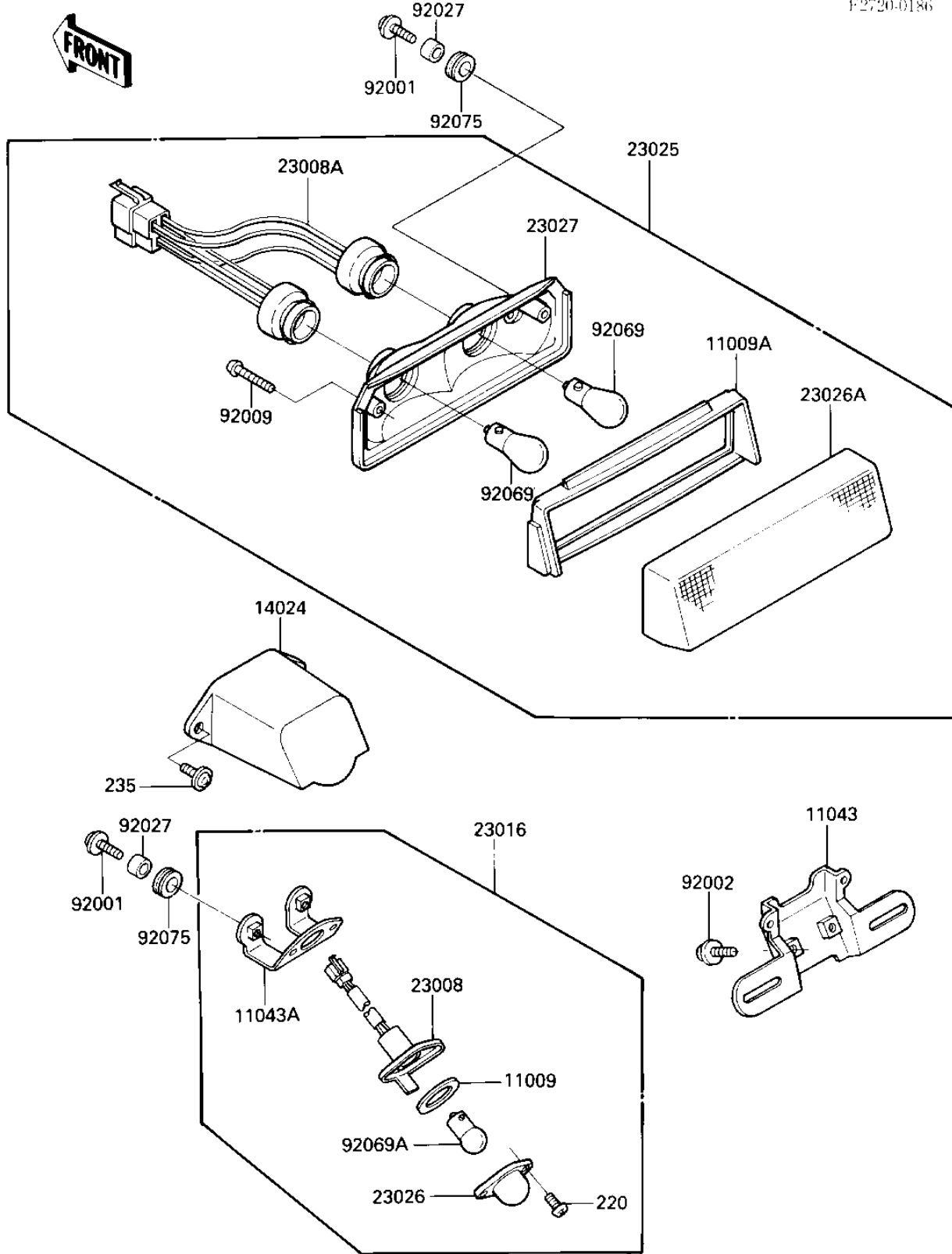


1987 Ninja® 600 PARTS DIAGRAM

TAILLIGHT

F2720-0186

R
N



- | |
|---|
| 1 |
| 1 |
| 1 |
| 1 |
| 1 |
| 2 |
| 2 |
| 2 |
| 2 |
| 2 |
| 2 |
| 2 |
| 9 |
| 9 |
| 9 |
| 9 |
| 9 |
| 9 |
| 9 |
| 9 |

1987 Ninja® 600 PARTS LIST

TAILLIGHT

ITEM NAME	PART NUMBER	QUANTITY
GASKET,LICENSE PLATE (Ref # 11009)	11009-1372	1
GASKET,TAIL LAMP (Ref # 11009A)	11009-1404	1
BRACKET,REFLECTOR (Ref # 11043)	11043-1440	1
BRACKET,LICENSE PLATE (Ref # 11043A)	11043-1497	1
COVER,LICENSE PLATE L (Ref # 14024)	14025-1821	1
SOCKET-ASSY,LICENSE P (Ref # 23008)	23008-1221	1
SOCKET-ASSY,TAIL LAMP (Ref # 23008A)	23008-1225	1
LAMP-ASSY,LICENSE PLA (Ref # 23016)	23016-1053	1
LAMP-TAIL (Ref # 23025)	23025-1105	1
LENS,LICENSE PLATE LA (Ref # 23026)	23026-1054	1
LENS,TAIL LAMP (Ref # 23026A)	23026-1056	1
BODY-COMP-TAIL LAMP (Ref # 23027)	23027-1064	1
BOLT,6X20 (Ref # 92001)	92001-1773	4
BOLT (Ref # 92002)	92002-1351	2
SCREW,TAPPING (Ref # 92009)	92009-1056	2
COLLAR 6.8X10X10.5 (Ref # 92027)	92027-120	4
BULB,12V 32/3CP (Ref # 92069)	92069-059	2
BULB,12V 4CP (Ref # 92069A)	92069-1012	1
DAMPER RUBBER,CASE (Ref # 92075)	92075-222	4
SCREW PAN HEAD 4X10 (Ref # 220)	220B0410	2
SCREW-PAN-WP-CROS (Ref # 235)	235C0616	2