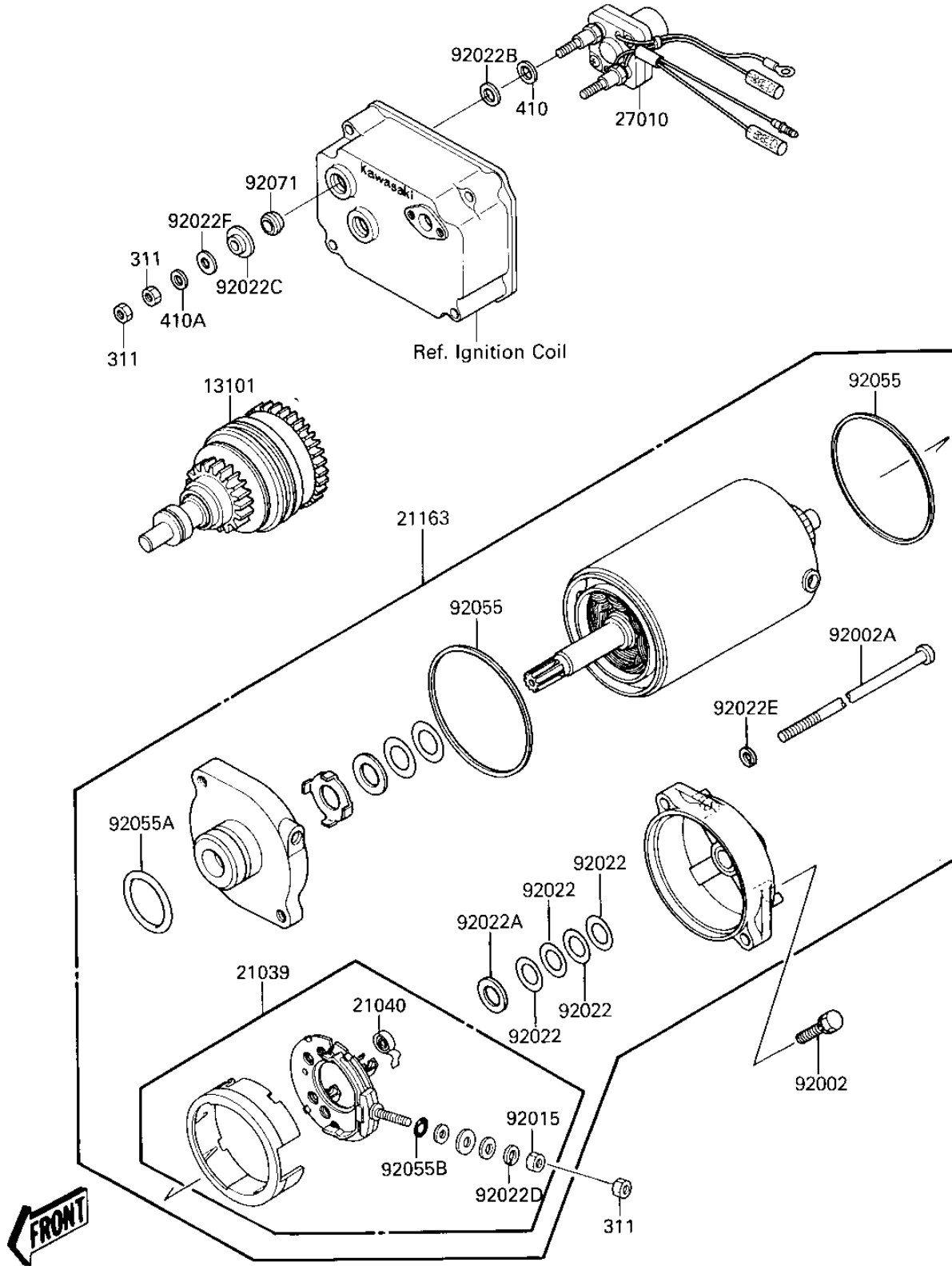


1987 650 SX PARTS DIAGRAM

STARTER MOTOR

E1840-0088



1987 650 SX PARTS LIST

STARTER MOTOR

ITEM NAME	PART NUMBER	QUANTITY
GEAR-ASSY (Ref # 13101)	13101-3705	1
BRUSH,CARBON (Ref # 21039)	21039-3702	1
SPRING-BRUSH (Ref # 21040)	21040-1003	4
STARTER-ELECTRIC (Ref # 21163)	21163-3712	1
SWITCH,SOLENOID (Ref # 27010)	27010-3705	1
BOLT,6X25 (Ref # 92002)	92002-3714	2
BOLT (Ref # 92002A)	92002-3744	2
NUT,6MM (Ref # 92015)	92015-3710	1
WASHER,THRUST,0.2T (Ref # 92022)	21025-011	4
WASHER,THRUST,0.8T (Ref # 92022A)	92022-1132	1
WASHER,10.5X24X2.5 (Ref # 92022B)	92022-3035	2
WASHER (Ref # 92022C)	92022-3036	2
WASHER,6MM (Ref # 92022D)	92022-3711	1
WASHER,SPRING,5MM (Ref # 92022E)	92022-3712	2
WASHER (Ref # 92022F)	92022-553	2
"O" RING,STARTER MOTR (Ref # 92055)	92055-1086	2
RING-O (Ref # 92055A)	92055-1276	1
RING-O,4.5X2.0 (Ref # 92055B)	92055-1370	1
GROMMET (Ref # 92071)	92071-3004	2
NUT,6M/M (Ref # 311)	311R0600	5
WASHER PLAIN 10MM (Ref # 410)	410B1000	2
WASHER (Ref # 410A)	410S0600	2