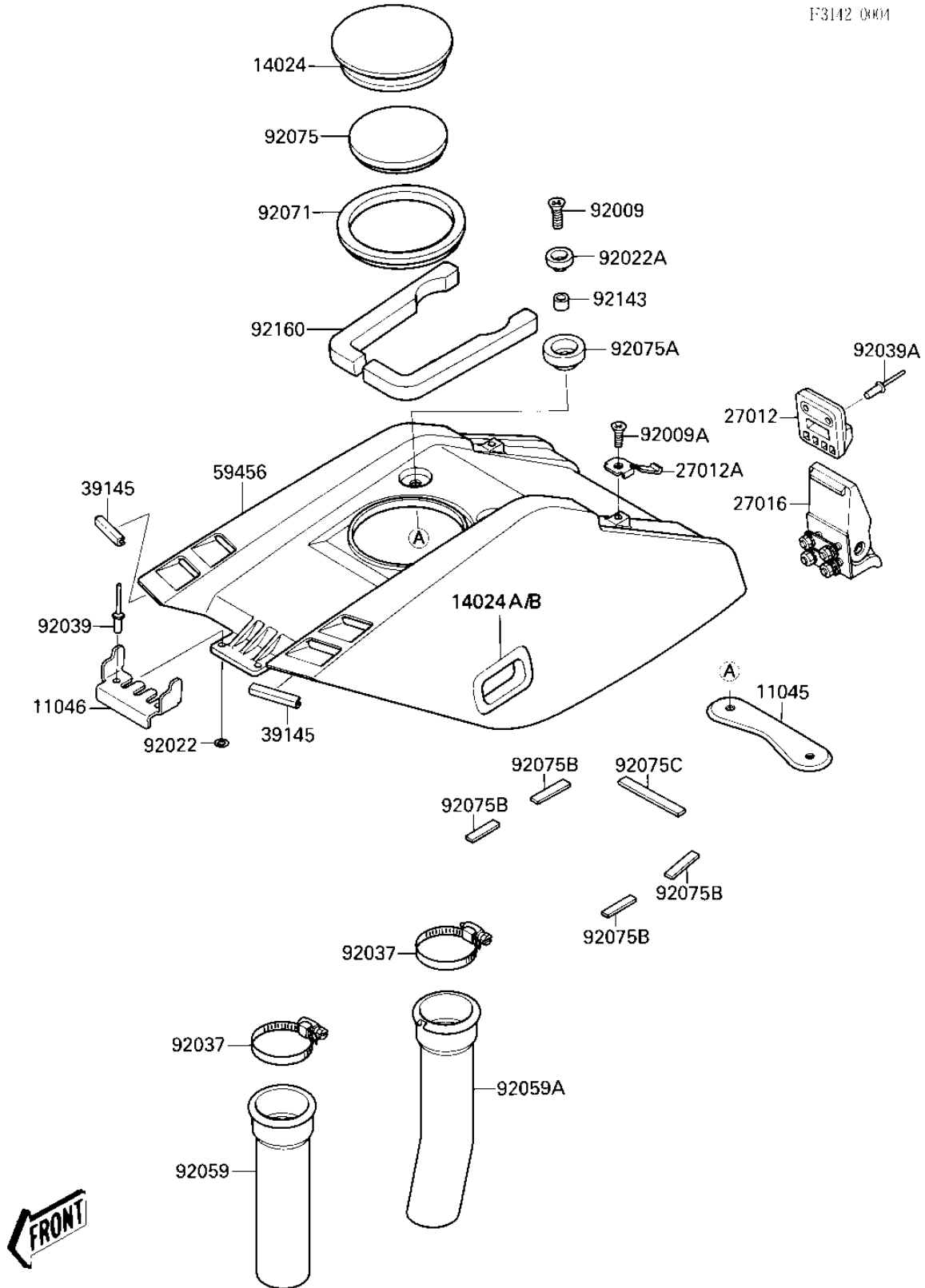


# 1987 650 SX PARTS DIAGRAM

## ENGINE HOOD

F3142 0001



# 1987 650 SX PARTS LIST

## ENGINE HOOD

ITEM NAME	PART NUMBER	QUANTITY
BRACKET (Ref # 11045)	11046-3748	1
BRACKET (Ref # 11046)	11046-3703	1
COVER (Ref # 14024)	14024-3748	1
COVER,LH,J.WHITE (Ref # 14024A)	14024-3771-8U	1
COVER,RH,J.WHITE (Ref # 14024B)	14024-3772-8U	1
HOOK (Ref # 27012)	27012-3711	1
HOOK,FOR PAD (Ref # 27012A)	27012-3716	2
LOCK-ASSY (Ref # 27016)	27016-3703	1
TRIM-SEAL (Ref # 39145)	39145-3708	2
HOOD-COMP ENGINE J-W (Ref # 59456)	59456-3714-8C	1
SCREW,6X25 (Ref # 92009)	92009-3717	2
SCREW 0.22 X 0.563 (Ref # 92009A)	92011-561	2
WASHER,5X16X1.5 (Ref # 92022)	92022-3041	2
WASHER (Ref # 92022A)	92022-3732	2
CLAMP (Ref # 92037)	92037-3738	2
RIVET (Ref # 92039)	92039-3002	2
RIVET (Ref # 92039A)	92039-3722	2
TUBE (Ref # 92059)	92059-3803	1
TUBE (Ref # 92059A)	92059-3815	1
GROMMET (Ref # 92071)	92071-3742	1
DAMPER (Ref # 92075)	92075-3737	1
DAMPER (Ref # 92075A)	92160-3709	2
DAMPER,DUCT,FRONT SID (Ref # 92075B)	92075-3744	4
DAMPER,DUCT,REAR (Ref # 92075C)	92075-3746	1
COLLAR,7.1X10.5X6 (Ref # 92143)	92027-3702	2
DAMPER,ENGINE HOOD (Ref # 92160)	92160-3703	1