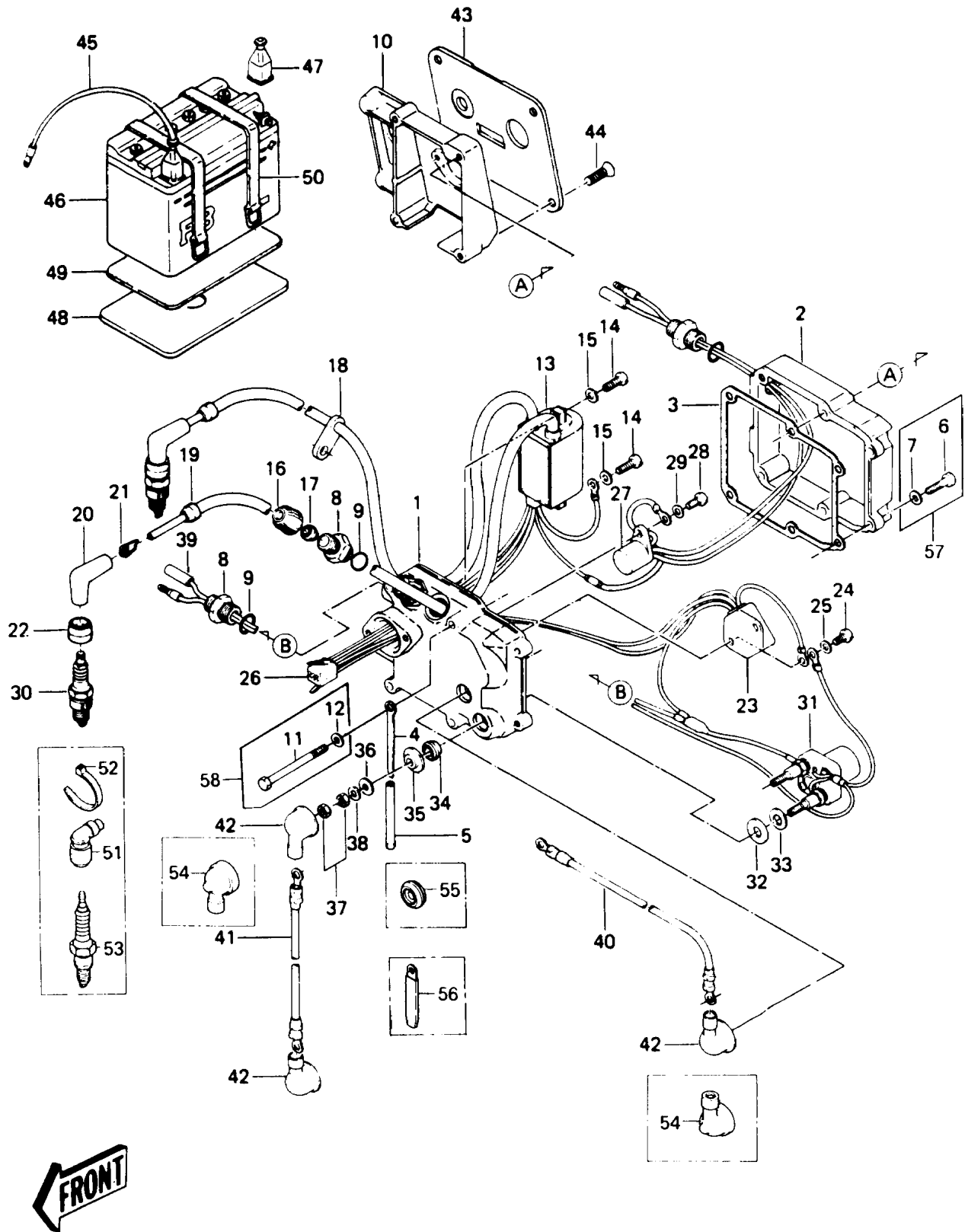


# 1990 JS440 PARTS DIAGRAM

Electric Case



# 1990 JS440 PARTS LIST

## Electric Case

ITEM NAME	PART NUMBER	QUANTITY
CASE,FUEL TAP (Ref # 10A)	32099-3735	1
IGNITER,CDI (Ref # 13)	21119-3016	1
SCREW-PAN-CROS,6X20,WHITE (Ref # 14)	220B0620	2
WASHER-PLAIN-SMALL,6MM (Ref # 15)	410B0600	2
CAP (Ref # 16)	11012-3005	2
GROMMET (Ref # 17)	92071-527	2
GROMMET (Ref # 18)	92071-529	1
GROMMET (Ref # 19)	92071-517	2
REGULATOR-VOLTAGE (Ref # 23)	21066-3004	1
SCREW-PAN-CROS,6X12 (Ref # 24)	220B0612	2
WASHER-PLAIN-SMALL,6MM (Ref # 25)	410B0600	2
CONNECTOR-CORD (Ref # 26)	59221-505	1
RELAY,STOP SWITCH (Ref # 27)	27034-3002	1
SCREW-PAN-CROS,6X16 (Ref # 28)	220B0616	1
WASHER-PLAIN-SMALL,6MM (Ref # 29)	410B0600	1
SWITCH,MAGNETIC (Ref # 31)	27010-3006	1
WASHER (Ref # 32)	92022-3035	2
WASHER-PLAIN-SMALL,10MM (Ref # 33)	410B1000	2
GROMMET (Ref # 34)	92071-3004	2
NUT-HEX,6MM (Ref # 37)	311R0600	4
WASHER-PLAIN,6MM (Ref # 38)	411S0600	2
WIRE-LEAD,ORANGE (Ref # 39)	26011-3003	1
CASE-ELECTRIC,FR (Ref # 1A)	59416-3004-YR	1
CASE-ELECTRIC,RR (Ref # 2)	59416-3003-YR	1
GASKET,ELECTRIC CASE (Ref # 3)	11009-3045	1
JOINT (Ref # 8)	59071-3001	4
O RING,16MM (Ref # 9)	670B2016	4
WIRE-LEAD,BATTERY(+) (Ref # 40)	26011-3004	1
WIRE-LEAD,STARTER (Ref # 41)	26011-3005	1

# 1990 JS440 PARTS LIST

## Electric Case

ITEM NAME	PART NUMBER	QUANTITY
CAP (Ref # 42)	11012-3004	2
PANEL-CONTROL (Ref # 43)	59226-505	1
SCREW-COUNTERSUNK,8X22 (Ref # 44)	92009-3004	4
WIRE-LEAD,BATTERY GROUND (Ref # 45)	26011-3001	1
BATTERY,YB16CL-B,12V 19AH (Ref # 46A)	26012-3707	1
CAP.,TERMINAL (Ref # 47)	59176-501	2
PLATE,BATTERY (Ref # 48)	13169-3014	1
DAMPER,BATTERY (Ref # 49)	92075-509	1
BAND,BATTERY,L=332 (Ref # 50)	92072-3714	2
CAP-SPARK PLUG (Ref # 51A)	21130-1062	2
CLAMP (Ref # 52)	92037-1173	2
PLUG-SPARK,BR7ES(NGK) (Ref # 53)	92070-3701	2
CAP,LEAD WIRE (Ref # 54)	11012-3726	2
SPACER (Ref # 55)	92026-3703	2
CLAMP,L=100 (Ref # 56)	92037-3736	1
BOLT,6X25 (Ref # 57)	92002-3714	2
BOLT,6X80 (Ref # 58)	92150-3761	4