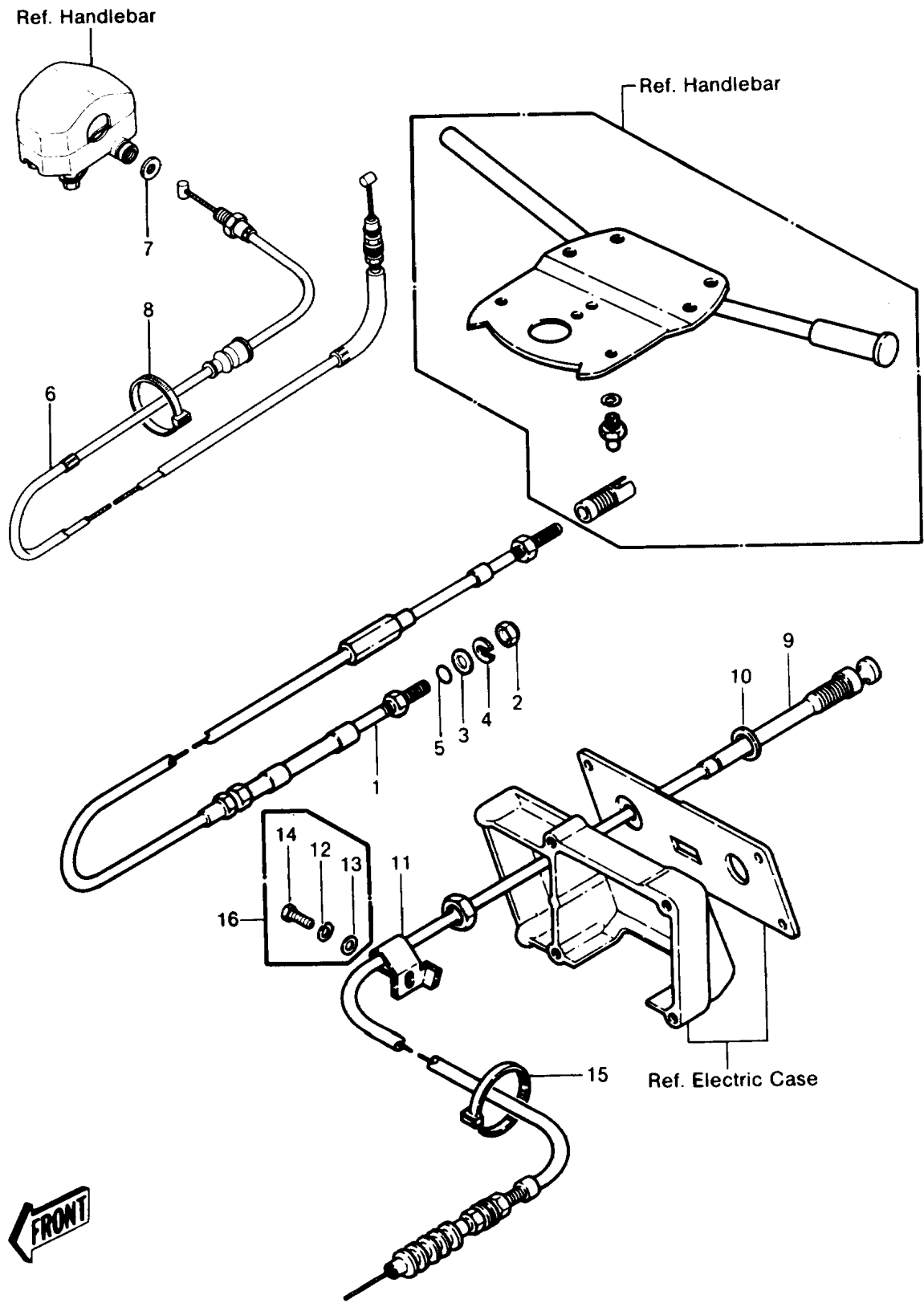


# 1988 JS440 PARTS DIAGRAM

## CABLES



# 1988 JS440 PARTS LIST

## CABLES

| ITEM NAME                    | PART NUMBER | QUANTITY |
|------------------------------|-------------|----------|
| GASKET (Ref # 10)            | 92065-538   | 1        |
| CLAMP,CHOKE CABLE (Ref # 11) | 92037-544   | 1        |
| BAND,L=123 (Ref # 15)        | 92072-030   | 1        |
| BOLT,6X12 (Ref # 16)         | 92150-3709  | 1        |
| CABLE-STRG (Ref # 1A)        | 59406-3709  | 1        |
| NUT,20MM (Ref # 2)           | 92015-526   | 1        |
| WASHER (Ref # 3)             | 92022-535   | 1        |
| RING-SNAP (Ref # 4)          | 92036-501   | 1        |
| O RING,11MM (Ref # 5)        | 670B2011    | 1        |
| CABLE-THROTTLE (Ref # 6)     | 54012-3707  | 1        |
| W-PLAIN-S,10MM (Ref # 7)     | 410S1000    | 1        |
| BAND,L=123 (Ref # 8)         | 92072-030   | 1        |
| CABLE-CHOKE (Ref # 9A)       | 59401-3704  | 1        |