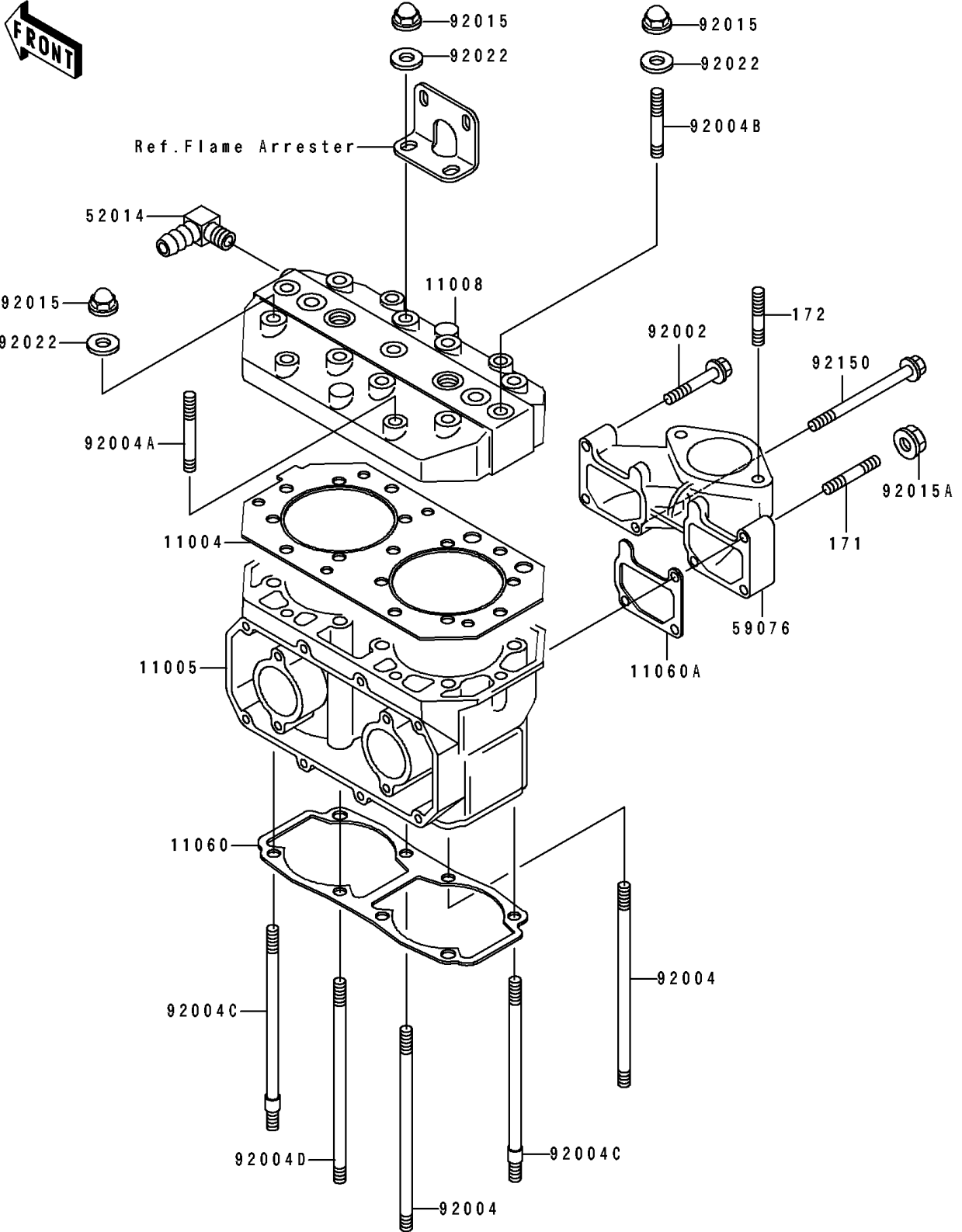


# 1992 JS440 PARTS DIAGRAM

Cylinder Head/Cylinder

E1110



# 1992 JS440 PARTS LIST

## Cylinder Head/Cylinder

ITEM NAME	PART NUMBER	QUANTITY
GASKET-HEAD (Ref # 11004)	11004-3707	1
CYLINDER-ENGINE (Ref # 11005)	11005-3713	1
HEAD-COMP-CYLINDER (Ref # 11008)	11008-3702	1
GASKET,CYLINDER BASE (Ref # 11060)	11009-3782	1
GASKET,INTAKE (Ref # 11060A)	11009-3785	2
ELBOW (Ref # 52014)	52014-3002	1
MANIFOLD-INTAKE (Ref # 59076)	59076-3710	1
BOLT,6X35 (Ref # 92002)	92002-3715	3
STUD,8X170 (Ref # 92004)	92004-2084	2
STUD,8X42 (Ref # 92004A)	92004-3016	4
STUD,8X50 (Ref # 92004B)	92004-3017	3
STUD,8X167 (Ref # 92004C)	92004-3020	2
STUD,8X167 (Ref # 92004D)	92004-507	4
NUT,CAP,8MM (Ref # 92015)	92015-1371	15
NUT,6MM (Ref # 92015A)	92015-3767	1
WASHER,8.2X18X1.5 (Ref # 92022)	92022-1964	15
BOLT,6X70 (Ref # 92150)	92150-3753	2
BOLT-STUD,6X35 (Ref # 171)	171R0635	1
BOLT-STUD,8X35 (Ref # 172)	172R0835	2