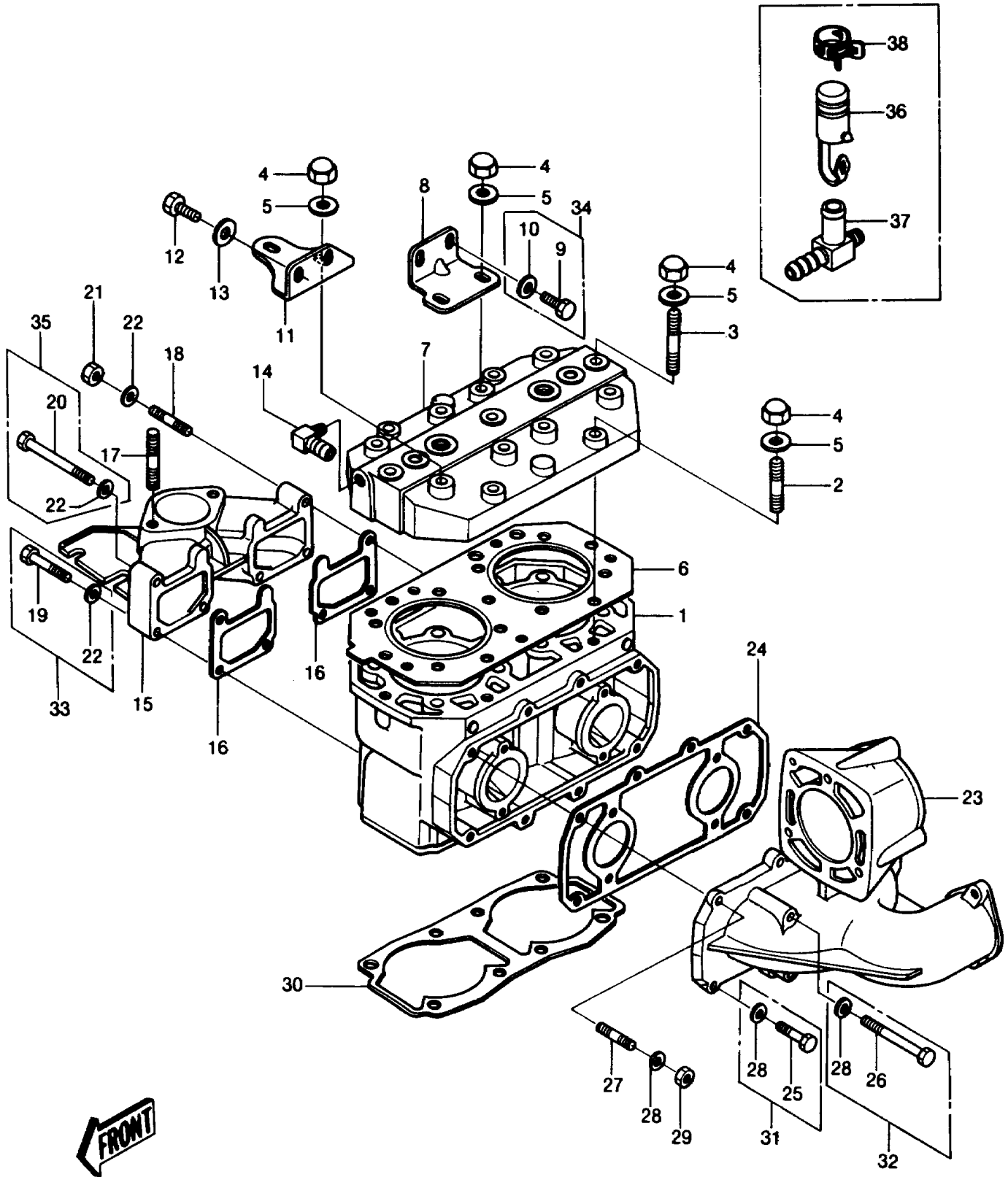


1989 JS550 PARTS DIAGRAM

CYLINDER HEAD/CYLINDER



1989 JS550 PARTS LIST

CYLINDER HEAD/CYLINDER

ITEM NAME	PART NUMBER	QUANTITY
BRACKET,MUFFLER (Ref # 11)	11044-2075	1
BOLT,8X18 (Ref # 12A)	92150-3754	2
MANIFOLD-INTAKE (Ref # 15)	59076-2052-YR	1
GASKET,INTAKE (Ref # 16)	16062-510	2
STUD,8X27.5 (Ref # 17)	92004-3022	2
STUD,6X35 (Ref # 18A)	92004-3722	1
NUT-HEX,6MM (Ref # 21)	311R0600	1
WASHER-PLAIN-SMALL,6MM (Ref # 22)	410S0600	1
MANIFOLD-EXHAUST (Ref # 23)	59081-2051-YR	1
GASKET,EXHAUST MANIFOLD (Ref # 24)	11009-3023	1
STUD (Ref # 27A)	92004-3720	2
WASHER-PLAIN-SMALL,6MM (Ref # 28)	410S0600	2
NUT-HEX,6MM (Ref # 29)	311R0600	2
GASKET,CYLINDER (Ref # 30)	11009-3054	1
BOLT,6X25 (Ref # 31)	92002-3714	5
BOLT,6X70 (Ref # 32)	92150-3753	5
BOLT,6X35 (Ref # 33)	92002-3715	3
BOLT,6X16 (Ref # 34)	92002-3728	2
BOLT,6X70 (Ref # 35)	92150-3753	2
CAP (Ref # 36)	11012-3737	1
FITTING (Ref # 37)	92005-3704	1
CLAMP (Ref # 38)	92170-3714	1
CYLINDER-ENGINE (Ref # 1A)	11005-3703	1
STUD,8X42 (Ref # 2)	92004-3016	4
STUD,8X50 (Ref # 3)	92004-3017	3
NUT,CAP,8MM (Ref # 4A)	92015-1371	15
WASHER,8.2X18X1.5 (Ref # 5A)	92022-1964	15
GASKET-HEAD (Ref # 6)	11004-3024	1
HEAD-COMP-CYLINDER (Ref # 7)	11008-2059-YR	1