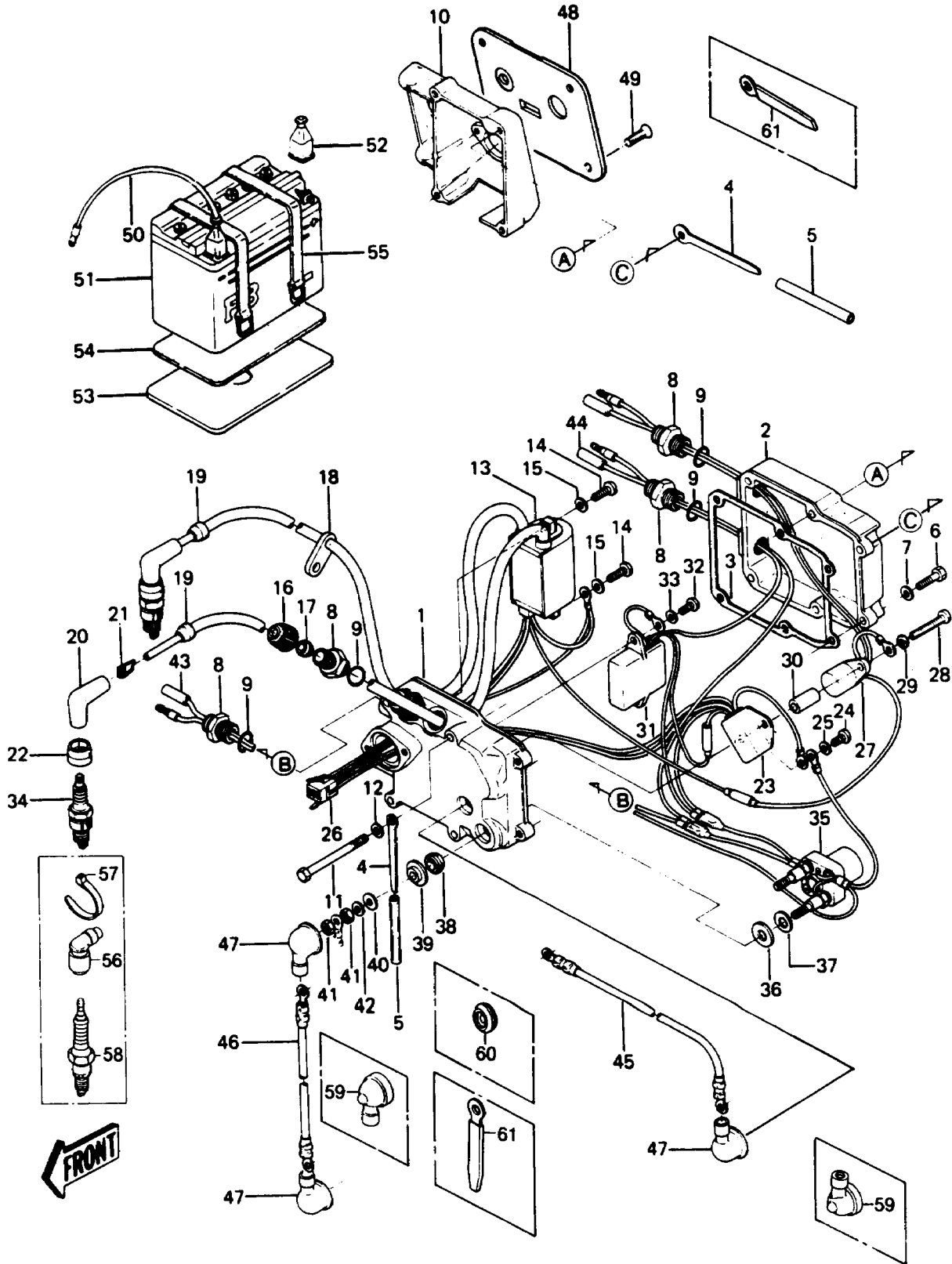


# 1989 JS550 PARTS DIAGRAM

ELECTRIC CASE



# 1989 JS550 PARTS LIST

## ELECTRIC CASE

| ITEM NAME                            | PART NUMBER   | QUANTITY |
|--------------------------------------|---------------|----------|
| CASE,FUEL TAP (Ref # 10)             | 59191-503     | 1        |
| BOLT,6X80 (Ref # 11)                 | 110R0680      | 4        |
| WASHER-PLAIN,6MM (Ref # 12)          | 411S0600      | 4        |
| IGNITER,CDI (Ref # 13)               | 21119-3016    | 1        |
| SCREW-PAN-CROS,6X20,WHITE (Ref # 14) | 220B0620      | 2        |
| WASHER-PLAIN-SMALL,6MM (Ref # 15)    | 410B0600      | 2        |
| CAP (Ref # 16)                       | 11012-3005    | 2        |
| GROMMET (Ref # 17)                   | 92071-527     | 2        |
| GROMMET (Ref # 18)                   | 92071-529     | 1        |
| GROMMET (Ref # 19)                   | 92071-517     | 2        |
| REGULATOR-VOLTAGE (Ref # 23)         | 21066-3003    | 1        |
| SCREW-PAN-CROS,6X12 (Ref # 24)       | 220B0612      | 1        |
| WASHER-PLAIN-SMALL,6MM (Ref # 25)    | 410B0600      | 1        |
| CONNECTOR-CORD (Ref # 26)            | 59221-505     | 1        |
| RELAY,STOP SWITCH (Ref # 27)         | 27034-3002    | 1        |
| SCREW-PAN-CROS,6X45 (Ref # 28)       | 220B0645      | 1        |
| WASHER-PLAIN-SMALL,6MM (Ref # 29)    | 410B0600      | 1        |
| COLLAR (Ref # 30)                    | 92027-3013    | 1        |
| RELAY,RPM LIMITER (Ref # 31)         | 27034-3004    | 1        |
| SCREW-PAN-CROS,6X16 (Ref # 32)       | 220B0616      | 2        |
| WASHER-PLAIN-SMALL,6MM (Ref # 33)    | 410B0600      | 2        |
| SWITCH,MAGNETIC (Ref # 35)           | 27010-3007    | 1        |
| WASHER (Ref # 36)                    | 92022-3035    | 2        |
| WASHER-PLAIN-SMALL,10MM (Ref # 37)   | 410B1000      | 2        |
| GROMMET (Ref # 38)                   | 92071-3004    | 2        |
| CASE-ELECTRIC,FR (Ref # 1)           | 59416-3004-YR | 1        |
| CASE-ELECTRIC,RR (Ref # 2)           | 59416-3005-YR | 1        |
| GASKET,ELECTRIC CASE (Ref # 3)       | 11009-3045    | 1        |
| BOLT,6X25 (Ref # 6)                  | 110R0625      | 2        |

# 1989 JS550 PARTS LIST

## ELECTRIC CASE

| ITEM NAME                             | PART NUMBER | QUANTITY |
|---------------------------------------|-------------|----------|
| WASHER-PLAIN,6MM (Ref # 7)            | 411S0600    | 2        |
| JOINT (Ref # 8)                       | 59071-3001  | 5        |
| O RING,16MM (Ref # 9)                 | 670B2016    | 5        |
| NUT-HEX,6MM (Ref # 41)                | 311R0600    | 4        |
| WASHER-PLAIN,6MM (Ref # 42)           | 411S0600    | 2        |
| WIRE-LEAD,ORANGE (Ref # 43)           | 26011-3003  | 1        |
| WIRE-LEAD,RED/WHITE (Ref # 44)        | 26011-3008  | 1        |
| WIRE-LEAD,BATTERY(+) (Ref # 45)       | 26011-3004  | 1        |
| WIRE-LEAD,STARTER (Ref # 46)          | 26011-3005  | 1        |
| CAP (Ref # 47)                        | 11012-3004  | 1        |
| PANEL-CONTROL (Ref # 48)              | 59226-505   | 1        |
| SCREW-COUNTERSUNK,8X22 (Ref # 49)     | 92009-3004  | 4        |
| WIRE-LEAD,BATTERY GROUND (Ref # 50)   | 26011-3001  | 1        |
| BATTERY,YB16CL-B,12V 19AH (Ref # 51B) | 26012-3707  | 1        |
| CAP.,TERMINAL (Ref # 52)              | 59176-501   | 2        |
| PLATE,BATTERY (Ref # 53)              | 13169-3014  | 1        |
| DAMPER,BATTERY (Ref # 54)             | 92075-509   | 1        |
| BAND,BATTERY,L=332 (Ref # 55)         | 92072-3714  | 2        |
| CAP-SPARK PLUG (Ref # 56)             | 21130-3703  | 2        |
| CLAMP (Ref # 57)                      | 92037-1173  | 2        |
| PLUG-SPARK,BR8ES(NGK) (Ref # 58)      | 92070-2078  | 2        |
| CAP,LEAD WIRE (Ref # 59)              | 11012-3726  | 2        |
| SPACER (Ref # 60)                     | 92026-3703  | 2        |
| CLAMP,L=100 (Ref # 61)                | 92037-3736  | 2        |